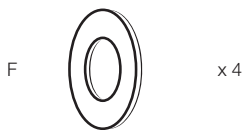
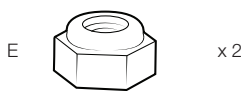
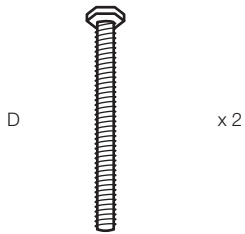
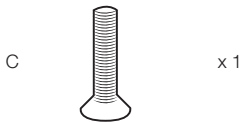
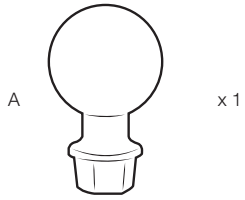
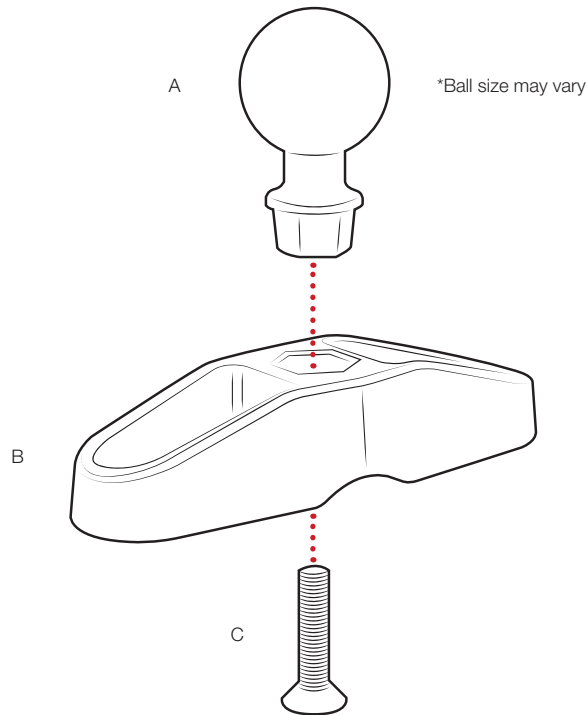


Part Index

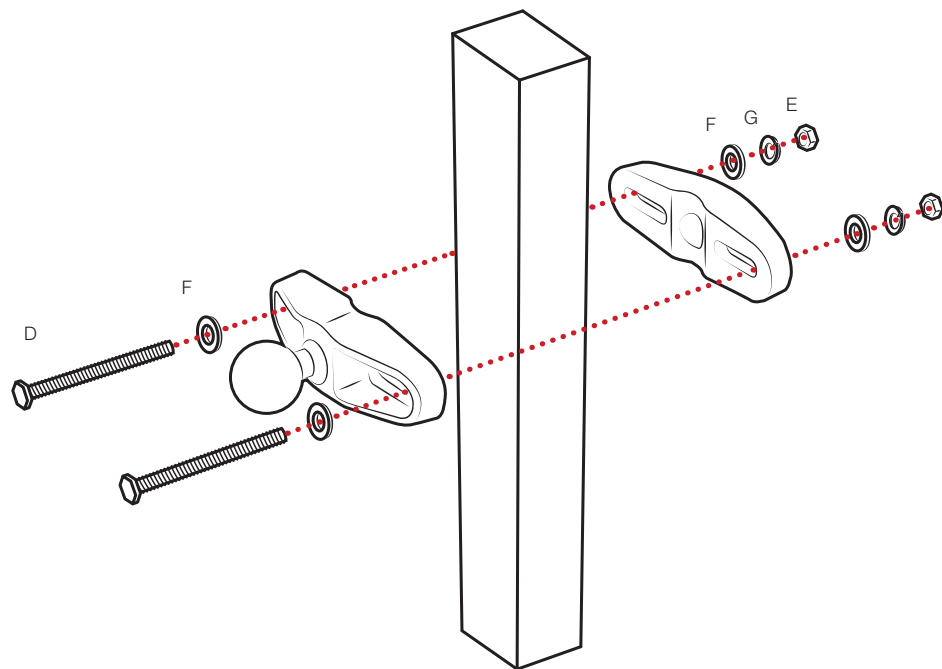
*not to scale



1 Connect (A) Ball to either (B) casting using (C) bolt.



2 Connect castings to any vertical post using the hardware shown below.



RMR-INS-247



Safety Precaution

Do not install this product near or over an airbag deployment area or in a location that obstructs the driver's vision or interferes with vehicle operation. National Products, Inc does not assume responsibility or liability for any such personal injury, death or property damage.