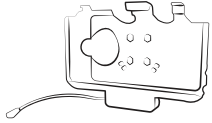


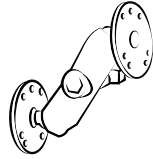
Parts Index

* Not to scale



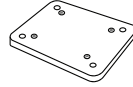
A

Powered Dock



B

Double Ball Mount



C

Backing Plate



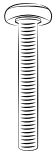
D

(x4) #8-32 x 5/8" Screws



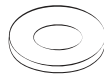
E

(x4) #8-32 Nylock Nuts



F

(x4) #8-32 x 1" Screws



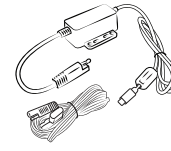
G

(x4) #8 Flat Washers



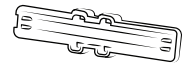
H

(x4) #8 Lock Washers



I

Hardwire Charger

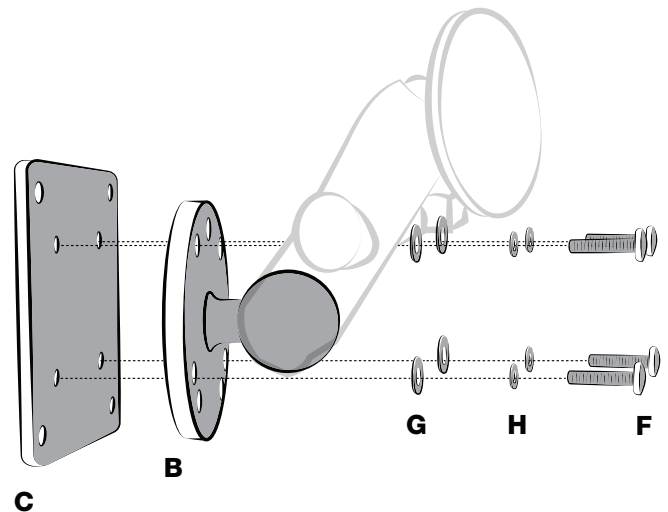
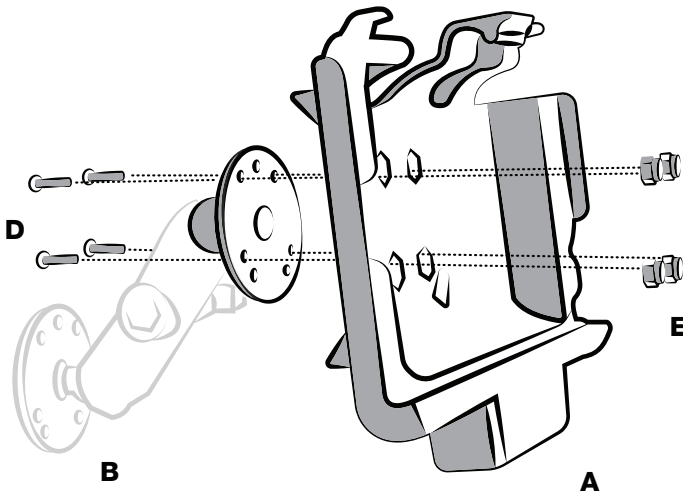


J

Cable Clamp Kit

- 1** Connect one ball from **(B) Double Ball Mount** to the back of **(A) Powered Dock** using **(D) Screws** and **(E) Nuts**.

- 2** Connect the other ball from **(B) Double Ball Mount** with **(C) Backing Plate** using **(F) Screws**, **(G) Flat** and **(H) Lock Washers**. Install to vehicle dash.



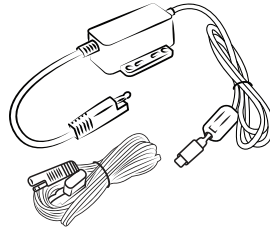
RMR-INS-225B2-SAM60P



Safety Precaution

Do not install this product near or over an airbag deployment area or in a location that obstructs the driver's vision or interferes with vehicle operation. National Products, Inc does not assume responsibility or liability for any such personal injury, death or property damage.

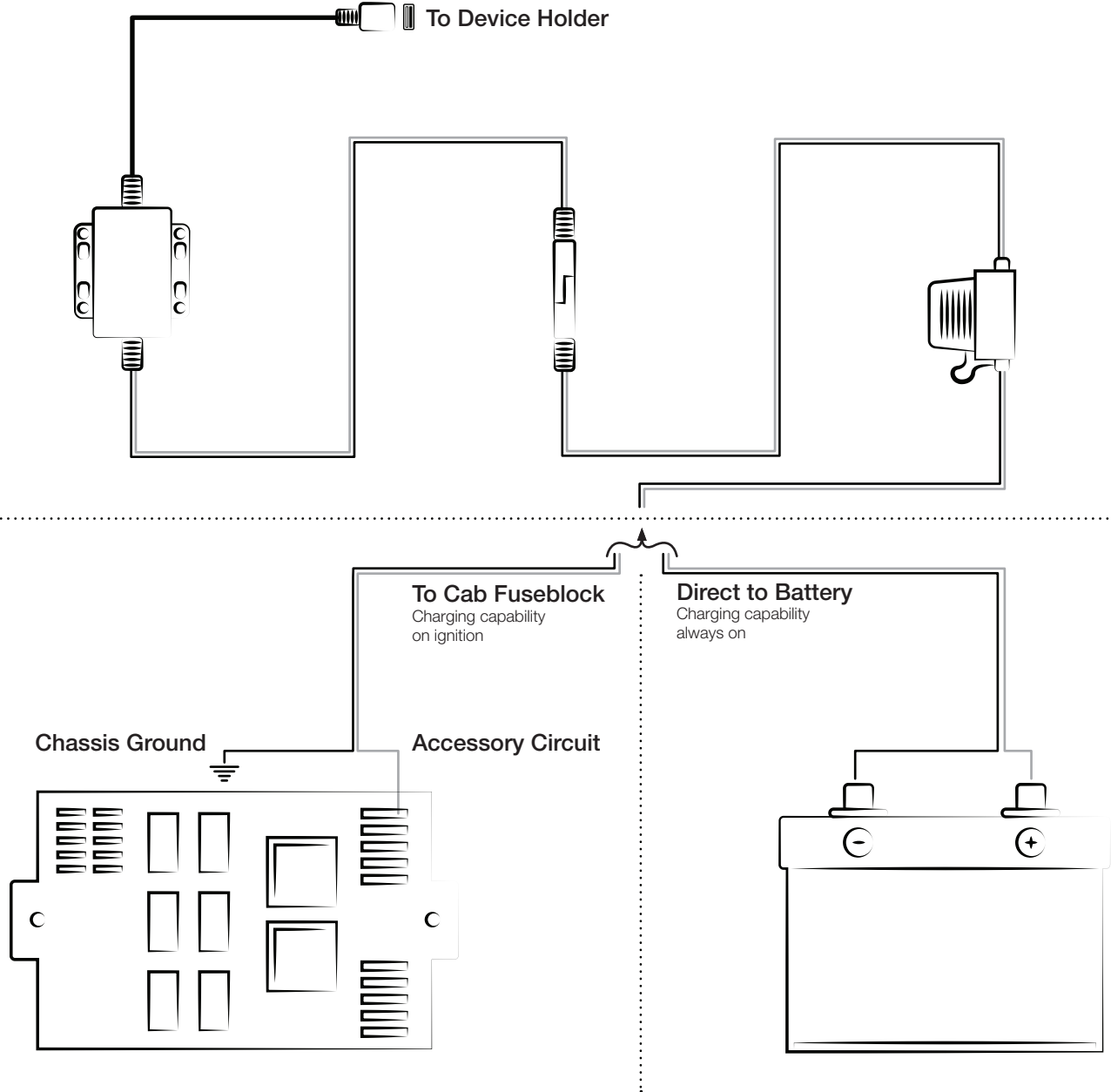
3 Wiring Diagram



INPUT RANGE
10-30V DC

OUTPUT VOLTAGE
5VDC - 9VDC

OUTPUT CURRENT
2.5A max



RMR-INS-225B2-SAM60P



Safety Precaution

Do not install this product near or over an airbag deployment area or in a location that obstructs the driver's vision or interferes with vehicle operation. National Products, Inc does not assume responsibility or liability for any such personal injury, death or property damage.