



rammount.com
1.800.497.7479
support@rammount.com

RAM® Mount for Vehicle Cradle

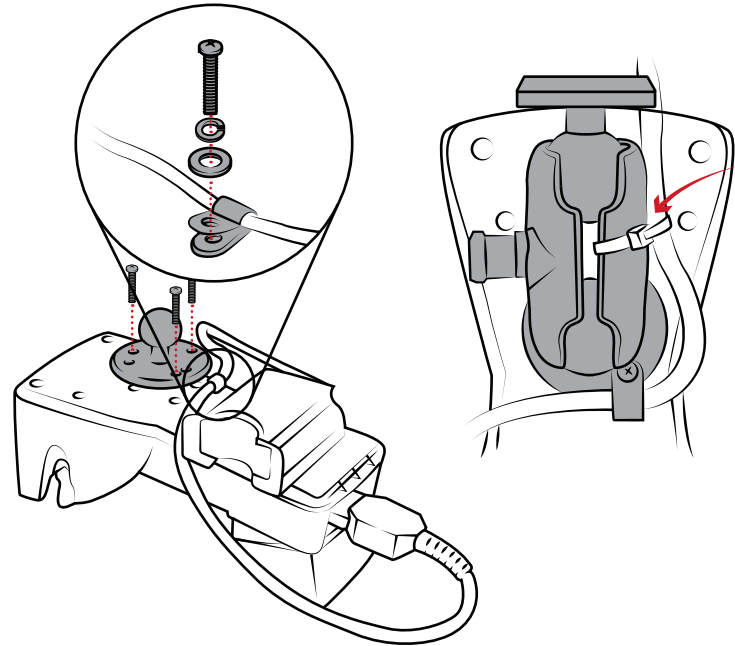
Assembly Instructions

- 1 Place wire clamp over power cord. Insert machine screw through locking washer, then through the flat washer, and secure it to the round RAM® base in the lower right hole.
- 2 Insert the other 3 machine screws down through the round RAM® base, with the locking washers on top.

Note: power cord placement should be as shown in photos to provide strain relief from the connector to the cradle.

- 3 Place power cable along the arm of the RAM® Mount, on the opposite side of the tightening knob. Run the zip tie between the two halves of the arm, and around the power cable and tighten.
- 4 Mount the rectangular RAM® plate to a secure location. Backing plate is included if needed.

Note: select a sturdy location for mounting.



RMR-INS-101-SAE1