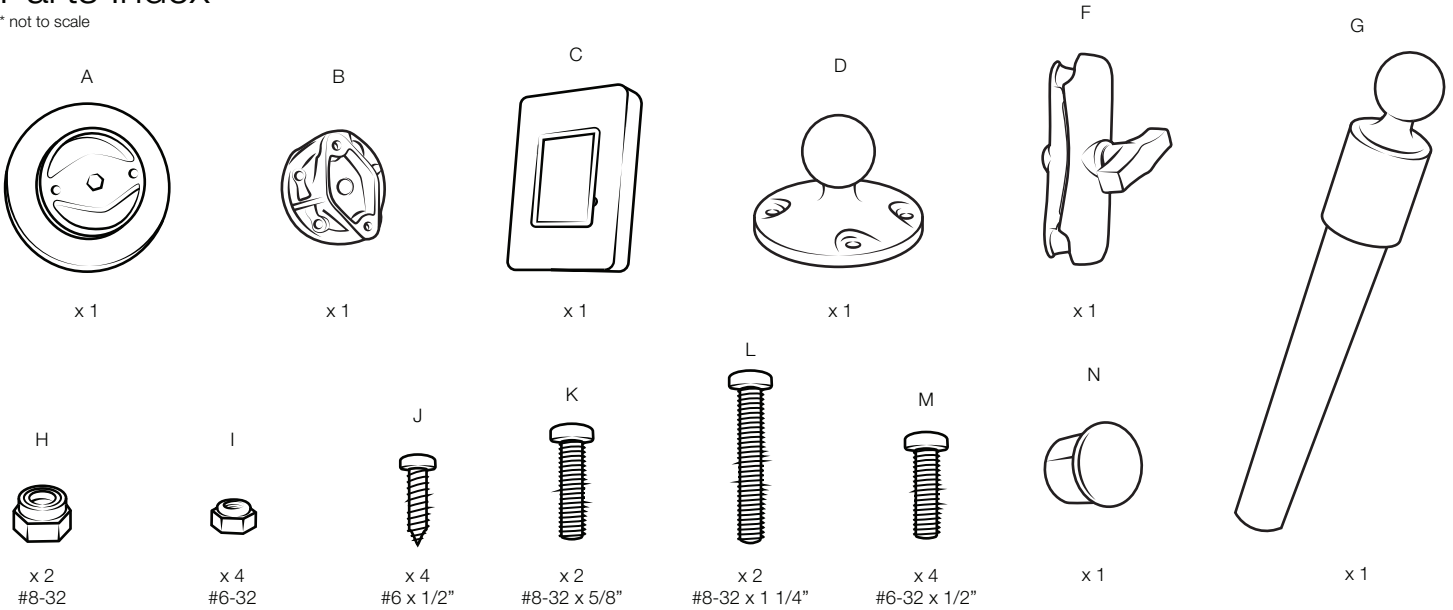
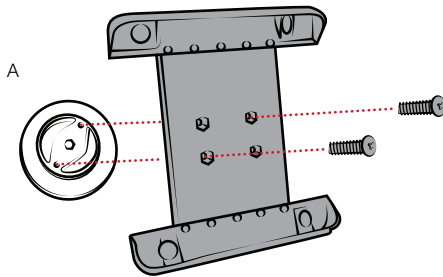


Parts Index

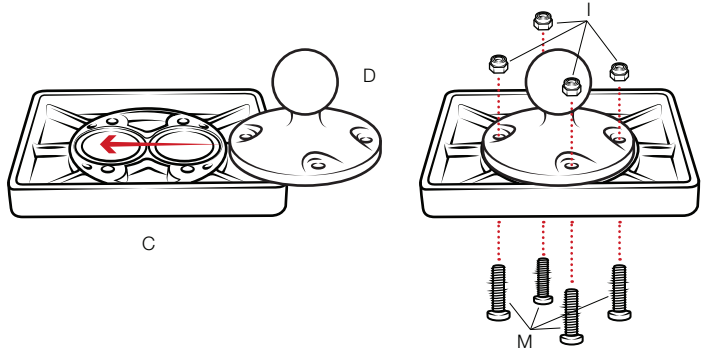
* not to scale



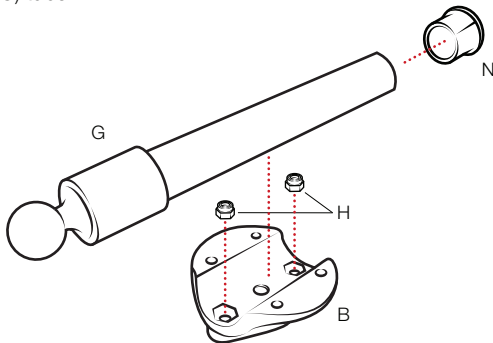
1 Use the screws that came with your RAM® Cradle to attach to the front side of (A) RAM® Roto-View™.



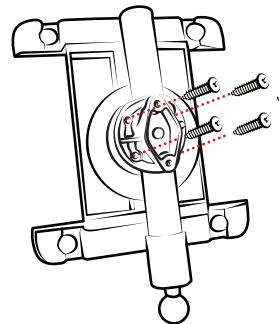
2 While pressing against back magnets of (C) RAM® Power Plate™ III, slide red adhesive plate off and slide (D) ball base over magnets aligning the holes with (C) RAM® Power Plate™ III holes. Use (M) screws and (I) nuts to secure the ball base.



3 Place (H) nuts inside pockets of (B) tube adapter before attaching to (G) tube.



4 Hold (B) tube adapter against (G) tube and attach to (A) RAM® Roto-View™ sub assembly with (J) screws without fully tightening.



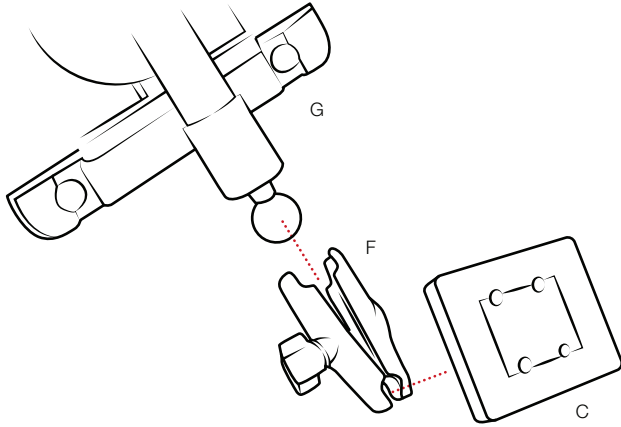
Continue on back →



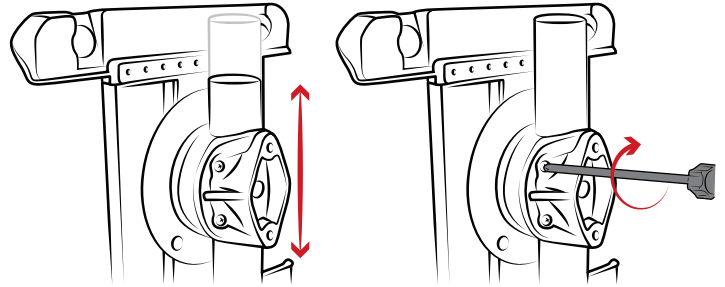
Safety Precaution

Do not install this product near or over an airbag deployment area or in a location that obstructs the driver's vision or interferes with vehicle operation. National Products, Inc does not assume responsibility or liability for any such personal injury, death or property damage.

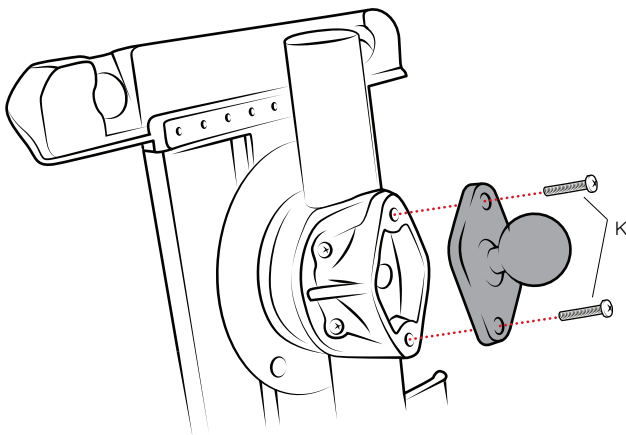
- 5 Connect (F) double socket arm to ball end of (G) tube. Connect (C) RAM® Power Plate™ III adapter to (F) double socket arm, determine the angle you want and tighten.



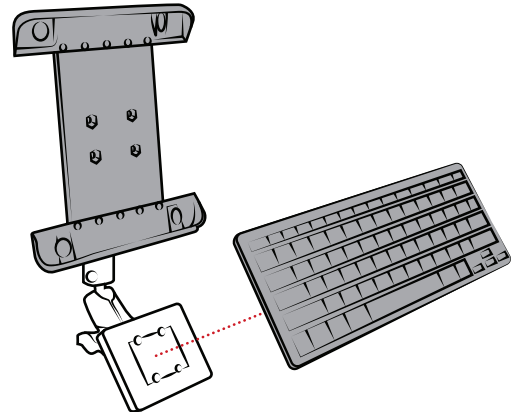
- 6 Determine proper height adjustment by sliding (G) tube up and down as needed. When set to the correct position, evenly tighten the (J) screws behind (A) RAM® Roto-View™.



- 7 Attach your RAM® ball base to the holes behind (B) tube adapter using (K) screws.



- 8 Attach keyboard to (C) RAM® Power Plate™ III. When positioning (G) tube, take into account the amount of space needed to rotate your tablet between portrait and landscape mode.



RMR-INS-TAB-KEY1



Safety Precaution

Do not install this product near or over an airbag deployment area or in a location that obstructs the driver's vision or interferes with vehicle operation. National Products, Inc does not assume responsibility or liability for any such personal injury, death or property damage.