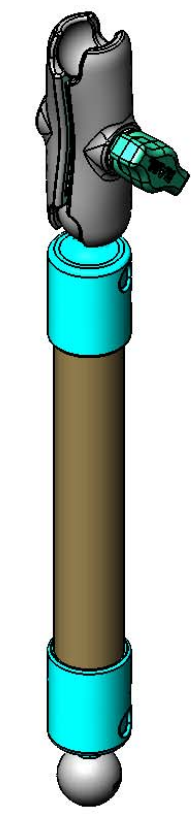
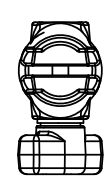
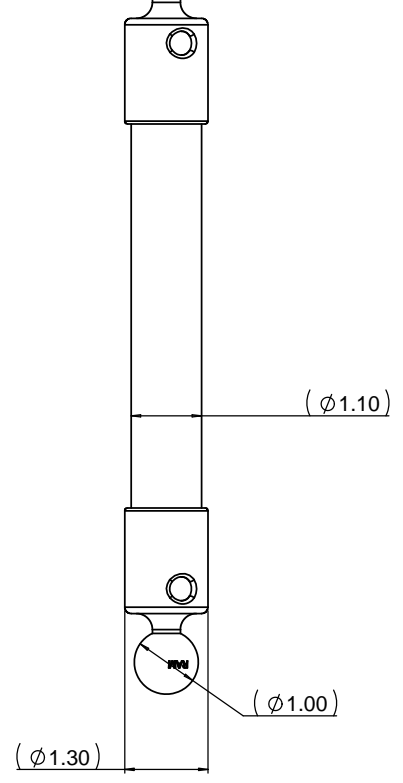
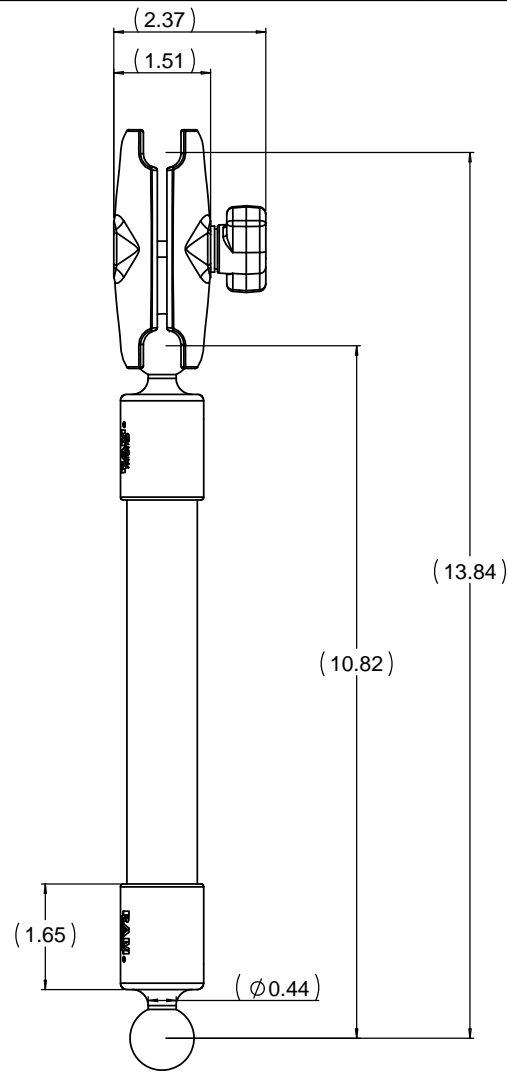
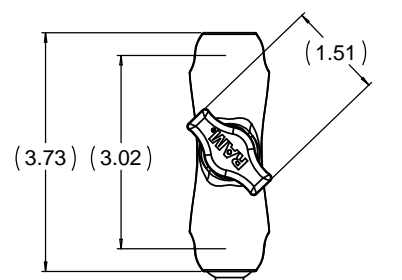


THE INFORMATION CONTAINED IN THIS DRAWING IS THE SOLE PROPERTY OF NATIONAL PRODUCTS INC. ANY REPRODUCTION IN PART OR WHOLE WITHOUT THE WRITTEN PERMISSION OF NATIONAL PRODUCTS INC. IS PROHIBITED.

REV		DESCRIPTION	REVISIONS	DATE	APPROVED



UNLESS OTHERWISE SPECIFIED DIMENSIONS ARE IN INCHES TOLERANCES ARE: FRACTIONS DECIMALS ANGLES ± 1/32 ±.06 ±.1 DEG. XXX ±.030	CAD GENERATED DRAWING. DO NOT MANUALLY UPDATE		NATIONAL PRODUCTS INC.	
	APPROVALS	DATE	RAM 14" LONG 1" DIA. TO 1" DIA. RUBBER BALL WITH DOUBLE SOCKET ARM	
	DRAWN JDC	02/08/16	ISS: C	ISS: NO
	CHECKED CMR	02/08/16	RAP-BB-230-14-201	
MATERIAL: PLASTIC, RUBBER, STST, BRASS	RESP ENG			REV
COLOR: BLACK	MFG ENG			
DO NOT SCALE DRAWING	DUAL ENG			