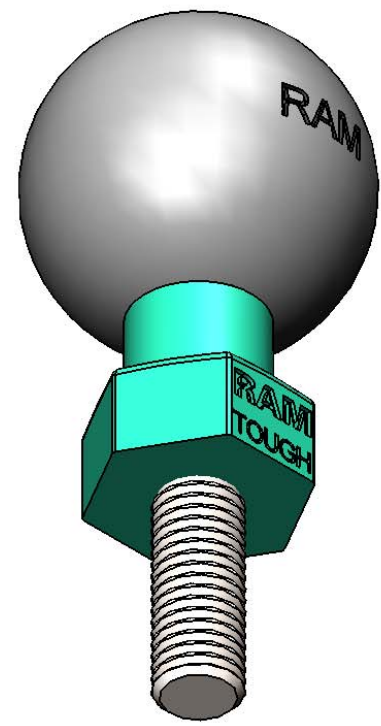
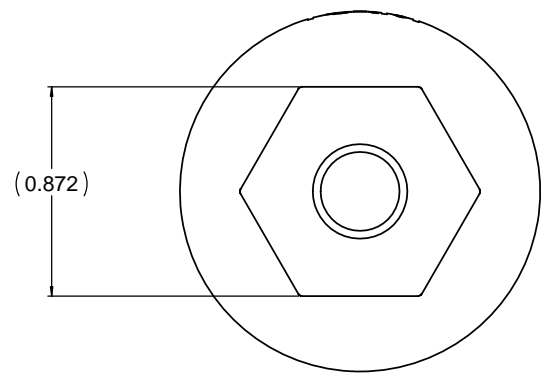
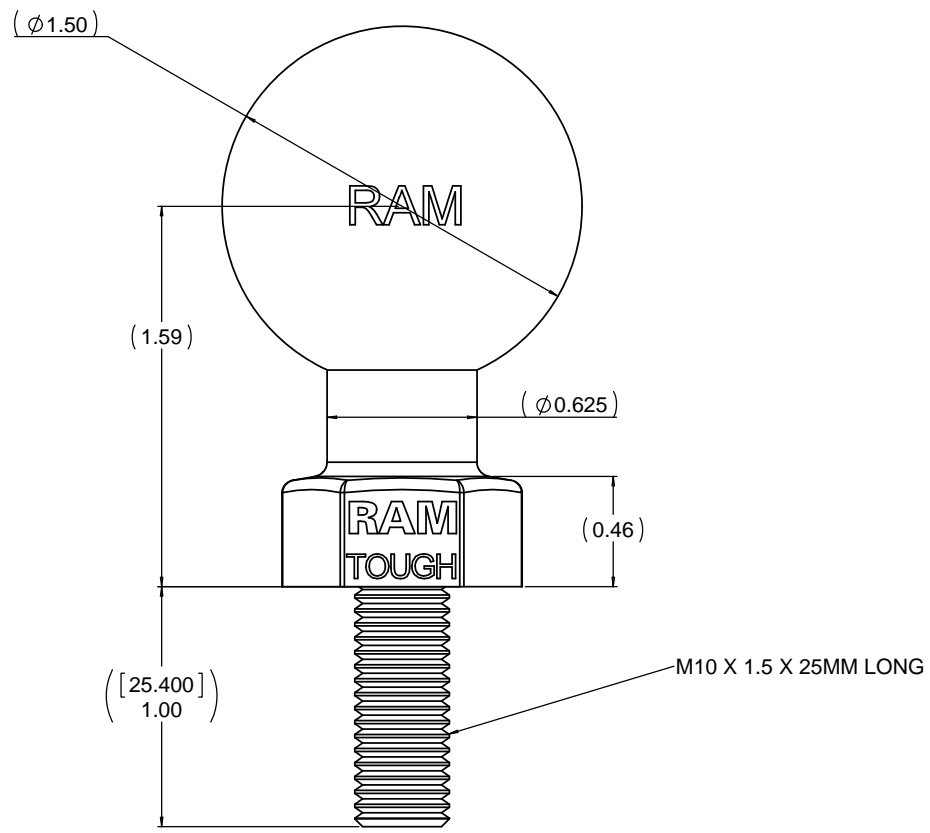


THE INFORMATION CONTAINED IN THIS DRAWING IS THE SOLE PROPERTY OF NATIONAL PRODUCTS INC. ANY REPRODUCTION IN PART OR WHOLE WITHOUT THE WRITTEN PERMISSION OF NATIONAL PRODUCTS INC. IS PROHIBITED.

REV	DESCRIPTION	REVISIONS	DATE	APPROVED



UNLESS OTHERWISE SPECIFIED DIMENSIONS ARE IN INCHES FRACTIONS DECIMALS ANGLES + 1/32 XX + .03 + .1 DEG. XXX - .010	CAD GENERATED DRAWING. DO NOT MANUALLY UPDATE		NATIONAL PRODUCTS INC.	
	APPROVALS	DATE	RAM 1 1/2" DIA. TOUGH BALL WITH M10 X 1.5 X 25MM LONG STST STUD	
MATERIAL 20% GLASS FILLED PC	DRAWN	JDC	10/05/16	REV
	CHECKED	CMR	10/05/16	
FINISH BLACK	RESP ENG			ISS
	MFG ENG			
DO NOT SCALE DRAWING	QUAL ENG			REV
				SCALE 1 TO 1 CAD: TEL: RAP/379U-M101525 SHEET 1 OF 1