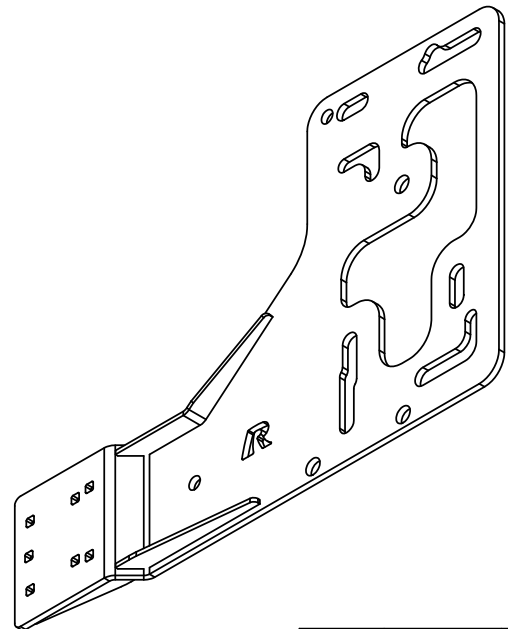
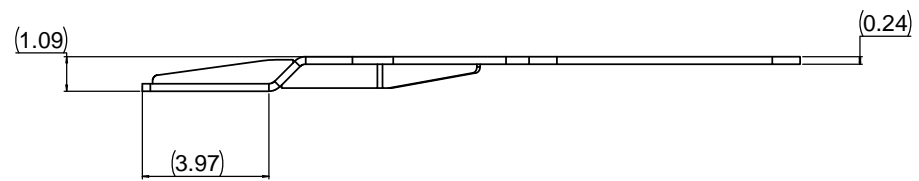
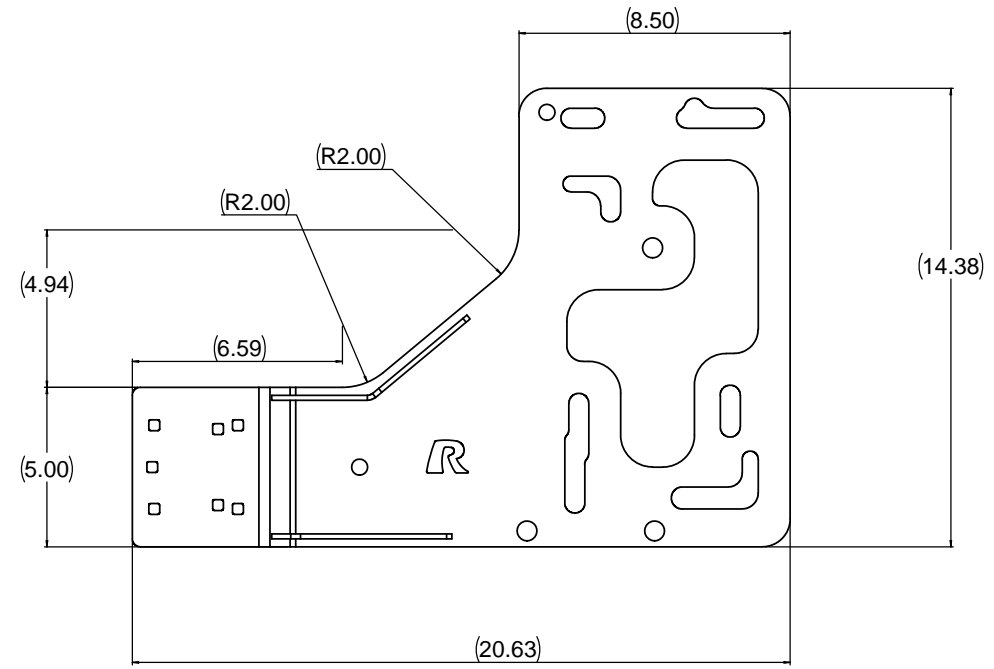


THE INFORMATION CONTAINED IN THIS DRAWING IS THE SOLE PROPERTY OF NATIONAL PRODUCTS INC. ANY REPRODUCTION IN PART OR WHOLE WITHOUT THE WRITTEN PERMISSION OF NATIONAL PRODUCTS INC. IS PROHIBITED.



DATE: 05/20/14		DRAWN BY: JLC		CHECKED BY: CMR		MATERIAL: STEEL		PART NO: RAM-VB-168		SCALE: 1:1	
REVISION: 1		DATE: 05/20/14		REVISION: 1		DATE: 05/20/14		REVISION: 1		DATE: 05/20/14	
DRAWN BY: JLC		CHECKED BY: CMR		MATERIAL: STEEL		PART NO: RAM-VB-168		SCALE: 1:1		SHEET 1 OF 1	
NATIONAL PRODUCTS INC.		RAM NO-DRILL UNIVERSAL LAPTOP BASE FOR TRUCKS		STEEL		RAM-VB-168		SCALE: 1:1		SHEET 1 OF 1	