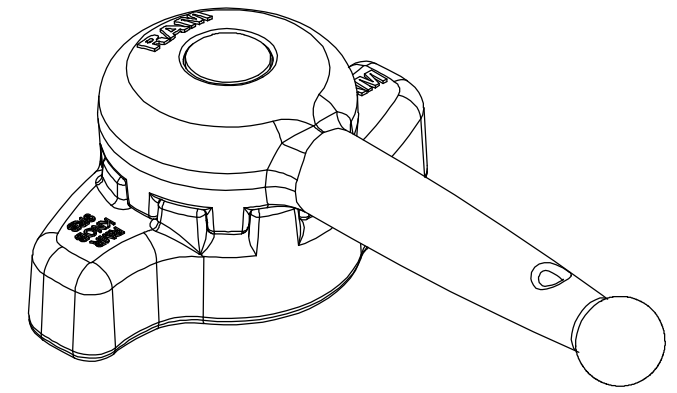
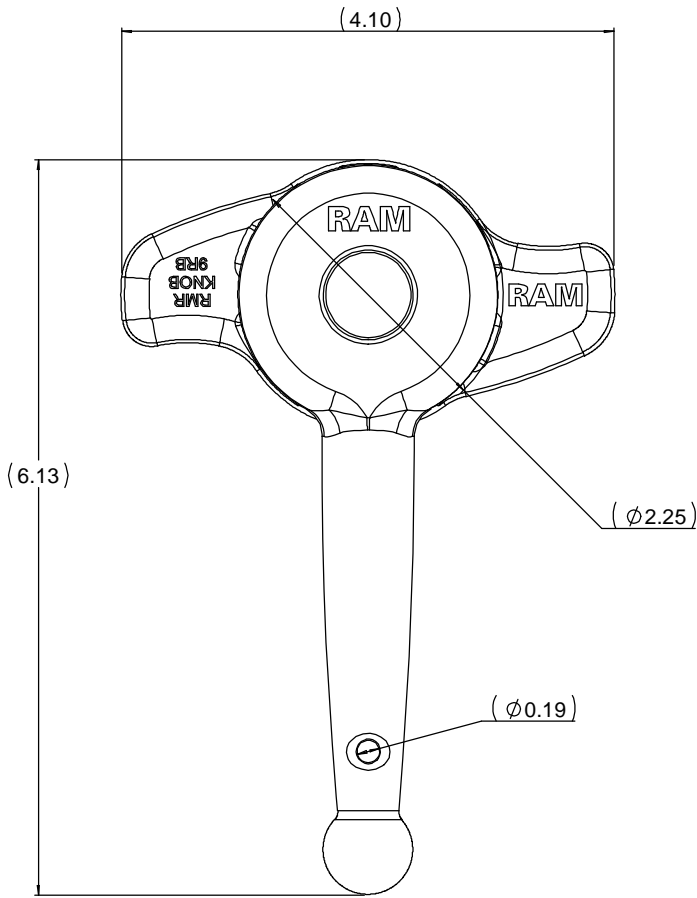
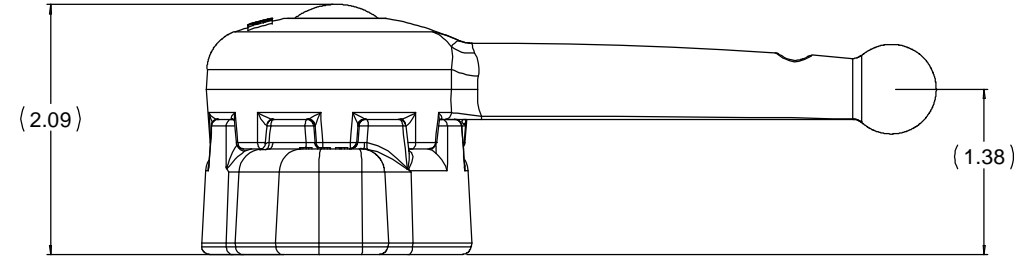
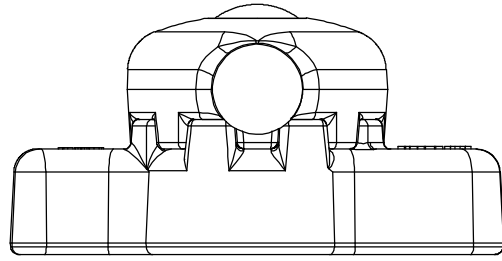


8 7 6 5 4 3 2 1  
 THE INFORMATION CONTAINED IN THIS DRAWING IS THE SOLE PROPERTY OF NATIONAL PRODUCTS INC. ANY REPRODUCTION IN PART OR WHOLE WITHOUT THE WRITTEN PERMISSION OF NATIONAL PRODUCTS INC. IS PROHIBITED.

REV.	DESCRIPTION	DATE	APPROVED



UNLESS OTHERWISE SPECIFIED DIMENSIONS ARE IN INCHES FRACTIONS DECIMALS ANGLES +.1/32 .XX+.06 +.1 DEG. .XXX+ .030	CAD GENERATED DRAWING. DO NOT MANUALLY UPDATE		NATIONAL PRODUCTS INC.	
	APPROVALS DRAWN JDC CHECKED CMR	DATE 04/29/12 04/29/12	RAM COLD WEATHER HANDLE-WRENCH D SIZE	
	MATERIAL ALUMINUM FINISH BLACK POWDER COAT DO NOT SCALE DRAWING	DESIGNED EQUAL ENG	DRAWN JDC	DATE 04/29/12
	SCALE 1 TO 1 CAD FILE: RAMKNOB9H		PART NO. RAM-KNOB-9H	REV. C