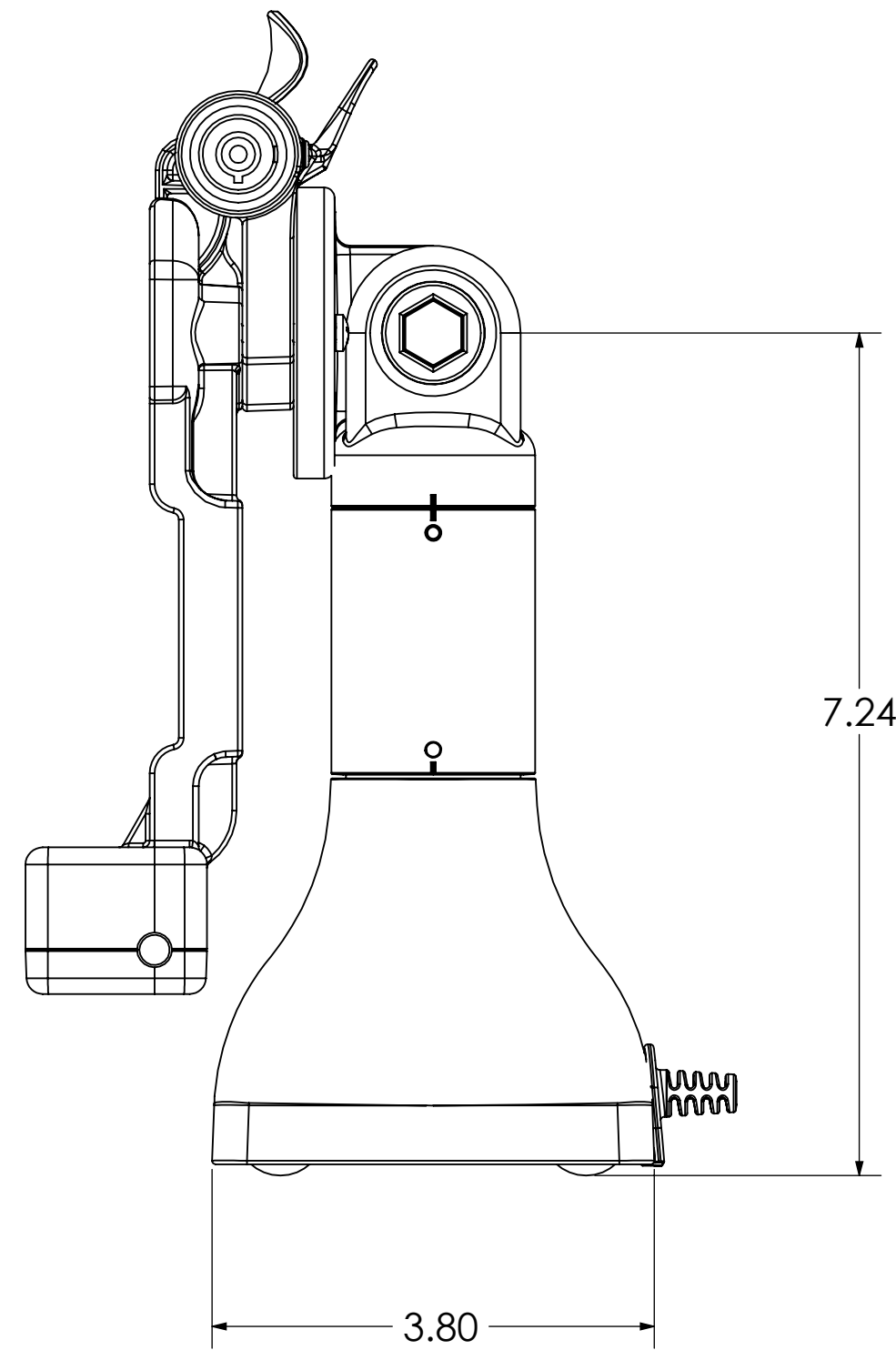
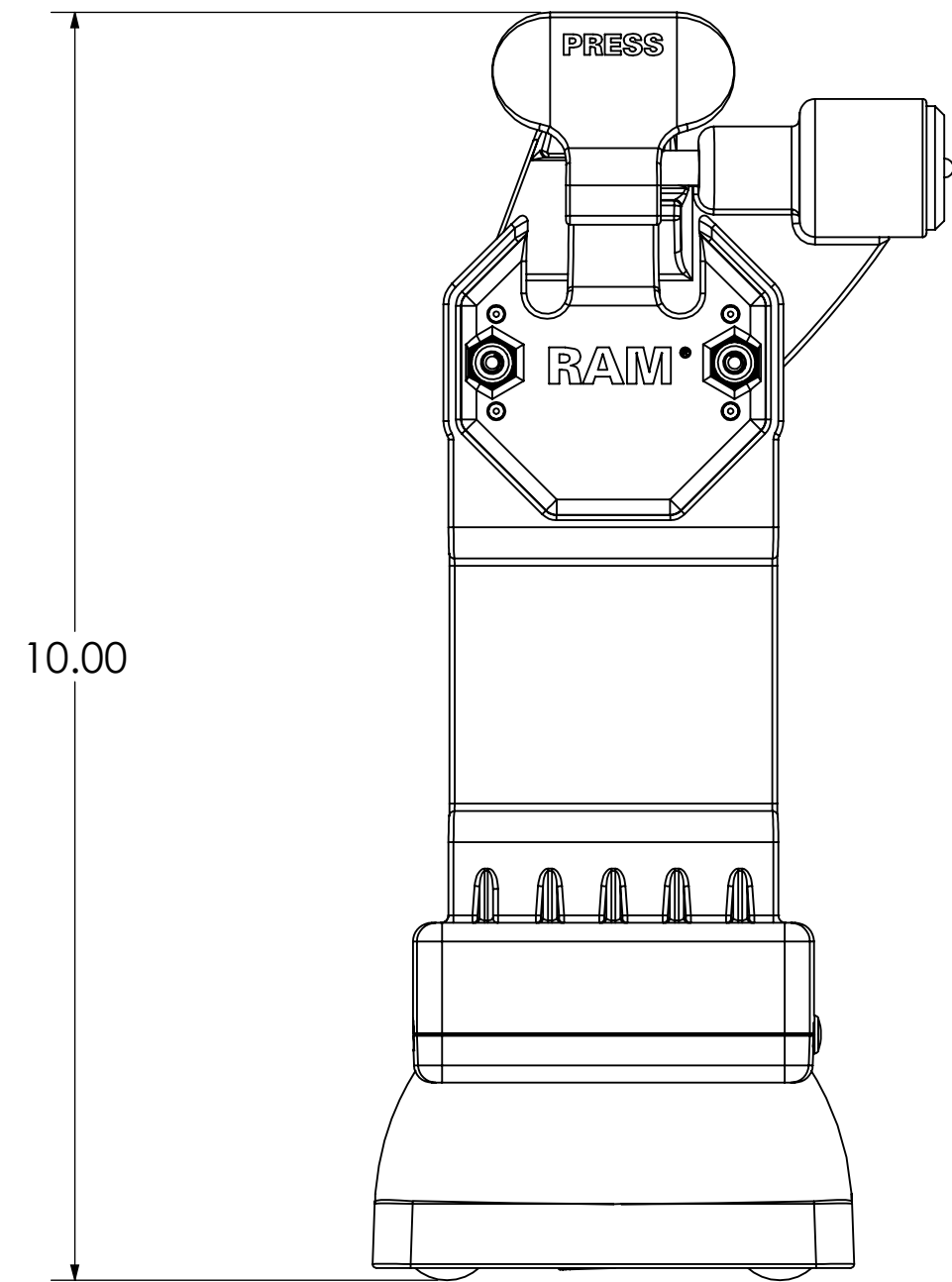
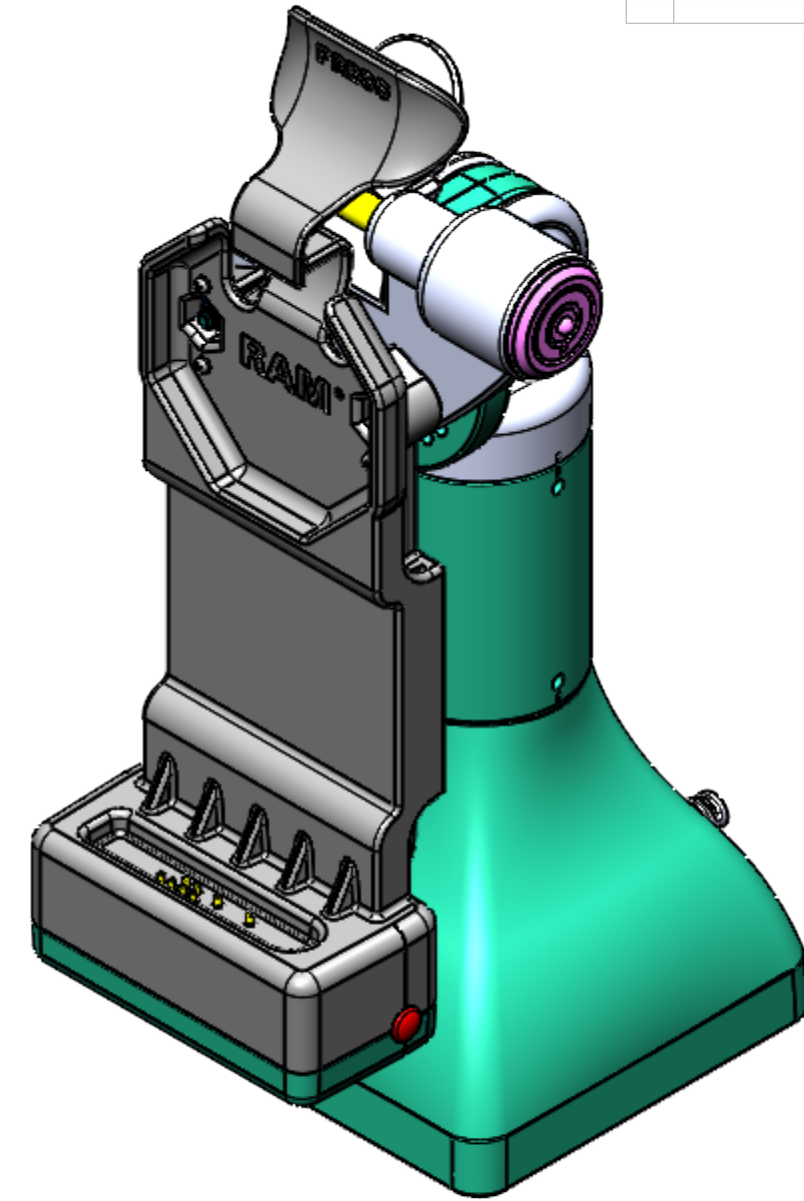
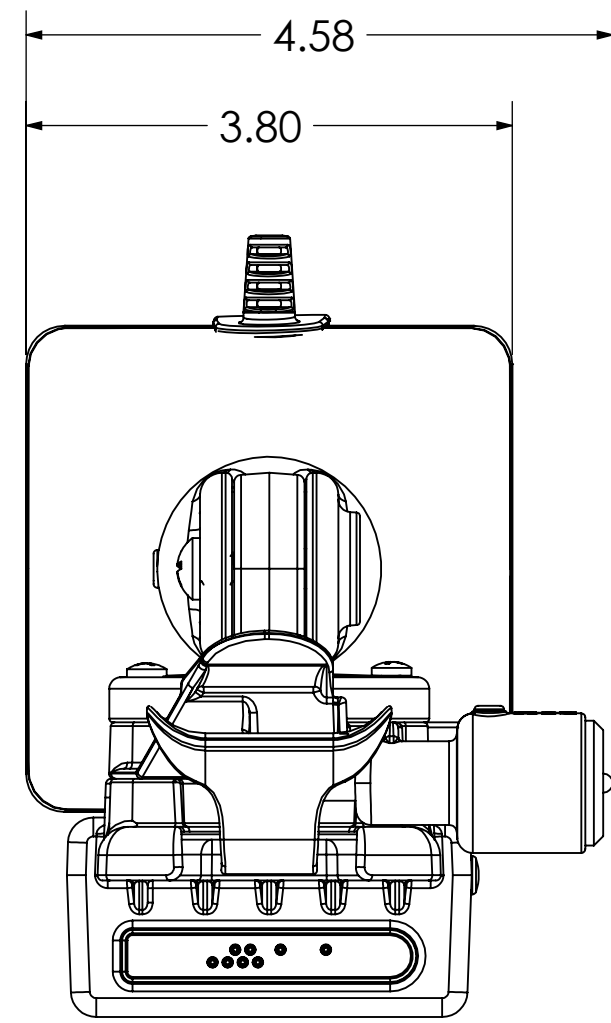


THE INFORMATION CONTAINED IN THIS DRAWING IS THE SOLE PROPERTY OF NATIONAL PRODUCTS INC. ANY REPRODUCTION IN PART OR WHOLE WITHOUT THE WRITTEN PERMISSION OF NATIONAL PRODUCTS INC. IS PROHIBITED.

REV.	DESCRIPTION	REVISIONS	DATE	APPROVED



UNLESS OTHERWISE SPECIFIED DIMENSIONS ARE IN INCHES TOLERANCES ARE: FRACTIONS DECIMALS ANGLES ±1/32 .xx ±.03 1° MATERIAL FINISH DO NOT SCALE DRAWING	CAD GENERATED DRAWING. DO NOT MANUALLY UPDATE		NATIONAL PRODUCTS INC.	
	APPROVALS	DATE	D11 DOCK - 7" U1 LOCKING	
	DRAWN JDS	09/03/24		
	CHECKED			
RESP ENG		SIZE (DWG. NO.) C RAM-GDS-DOCKLR-D11-7-U1C	REV. SHEET 1 OF 1	