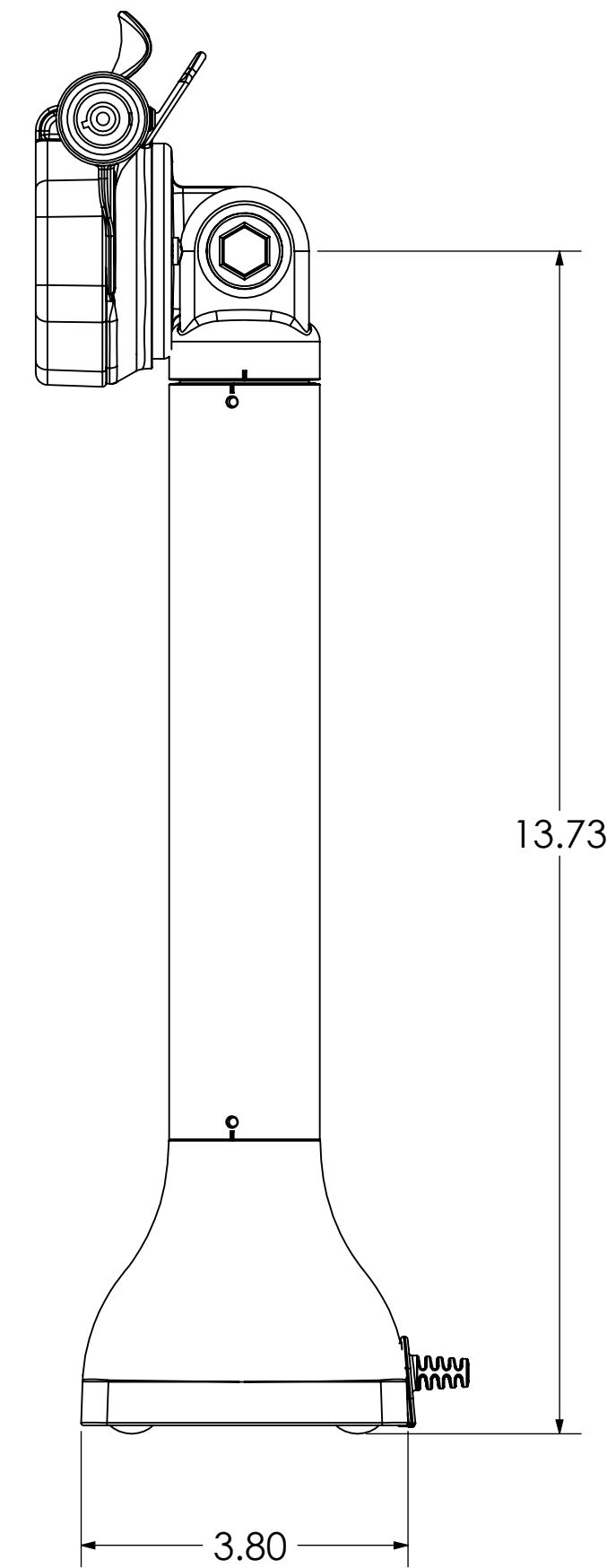
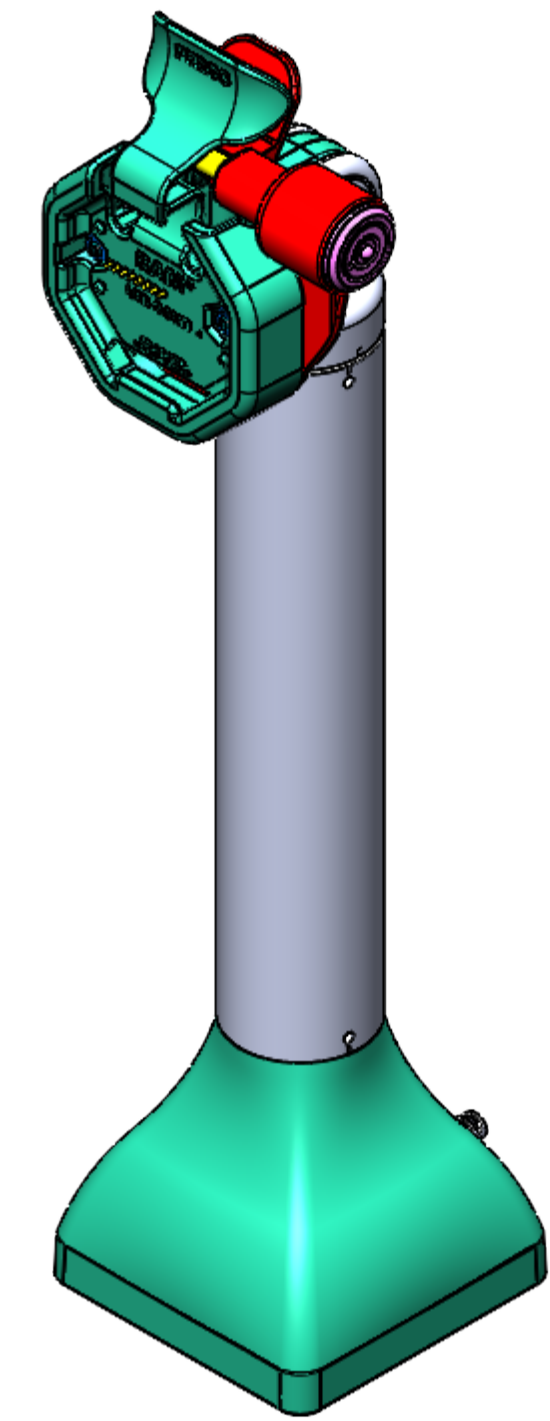
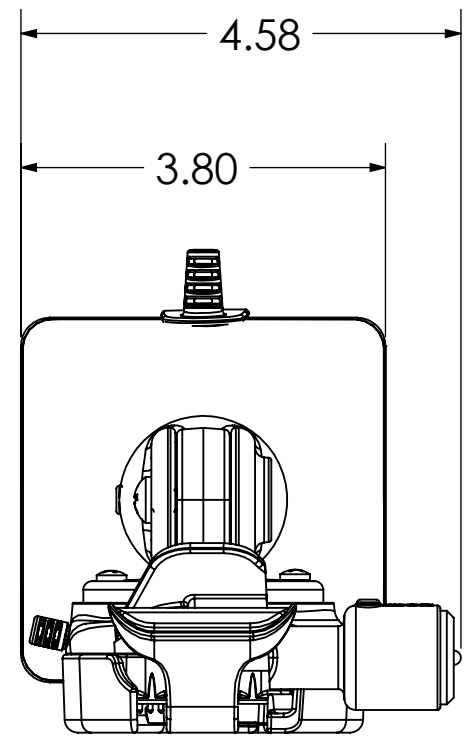


THE INFORMATION CONTAINED IN THIS DRAWING IS THE SOLE PROPERTY OF NATIONAL PRODUCTS INC. ANY REPRODUCTION IN PART OR WHOLE WITHOUT THE WRITTEN PERMISSION OF NATIONAL PRODUCTS INC. IS PROHIBITED.

REVISIONS		DATE	APPROVED
REV.	DESCRIPTION		



UNLESS OTHERWISE SPECIFIED DIMENSIONS ARE IN INCHES TOLERANCES ARE:		CAD GENERATED DRAWING. DO NOT MANUALLY UPDATE		NATIONAL PRODUCTS INC.	
FRACTIONS	DECIMALS	APPROVALS	DATE	D11 DOCK - 14" U3 LOCKING	
±1/32	.xx ±.03	DRAWN	JDS 09/03/24		
	.xxx ±.010	CHECKED			
MATERIAL		RESP ENG			
FINISH		MFG ENG		SIZE	DWG. NO.
DO NOT SCALE DRAWING		QUAL ENG		C	RAM-GDS-DOCKLR-D11-14-U3C
				SCALE: 1 TO 1	CAD FILE: SHEET 1 OF 1