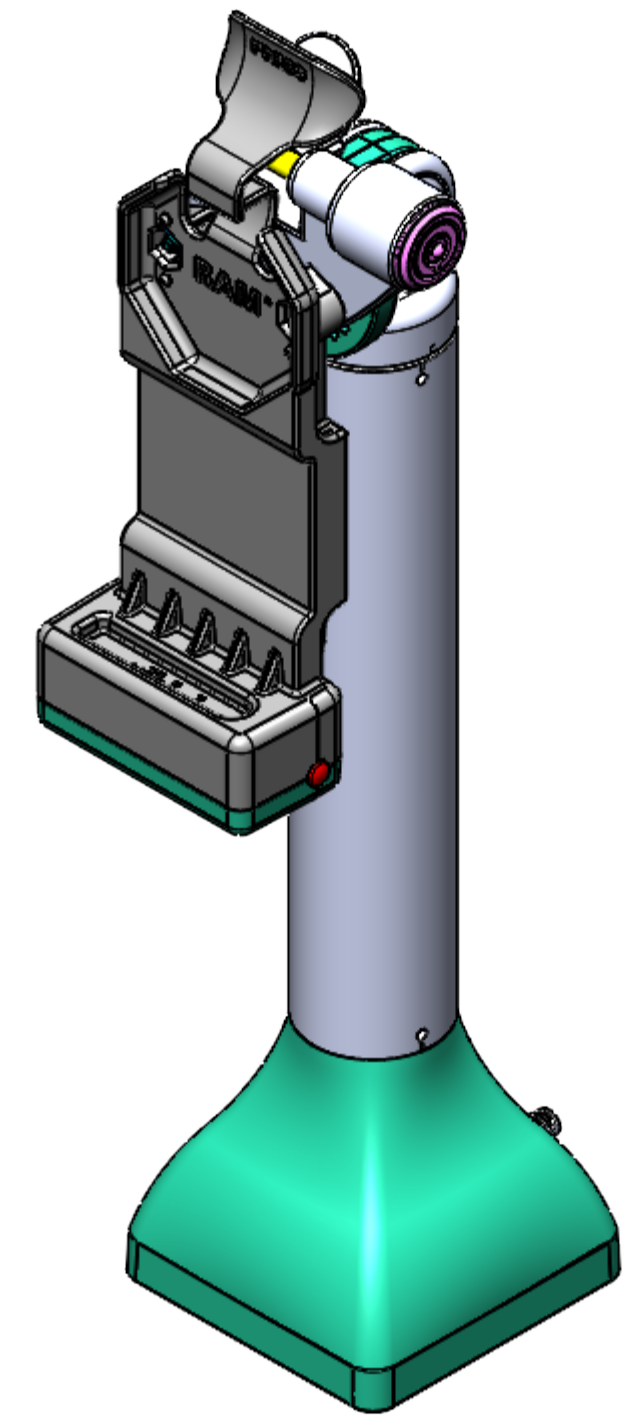
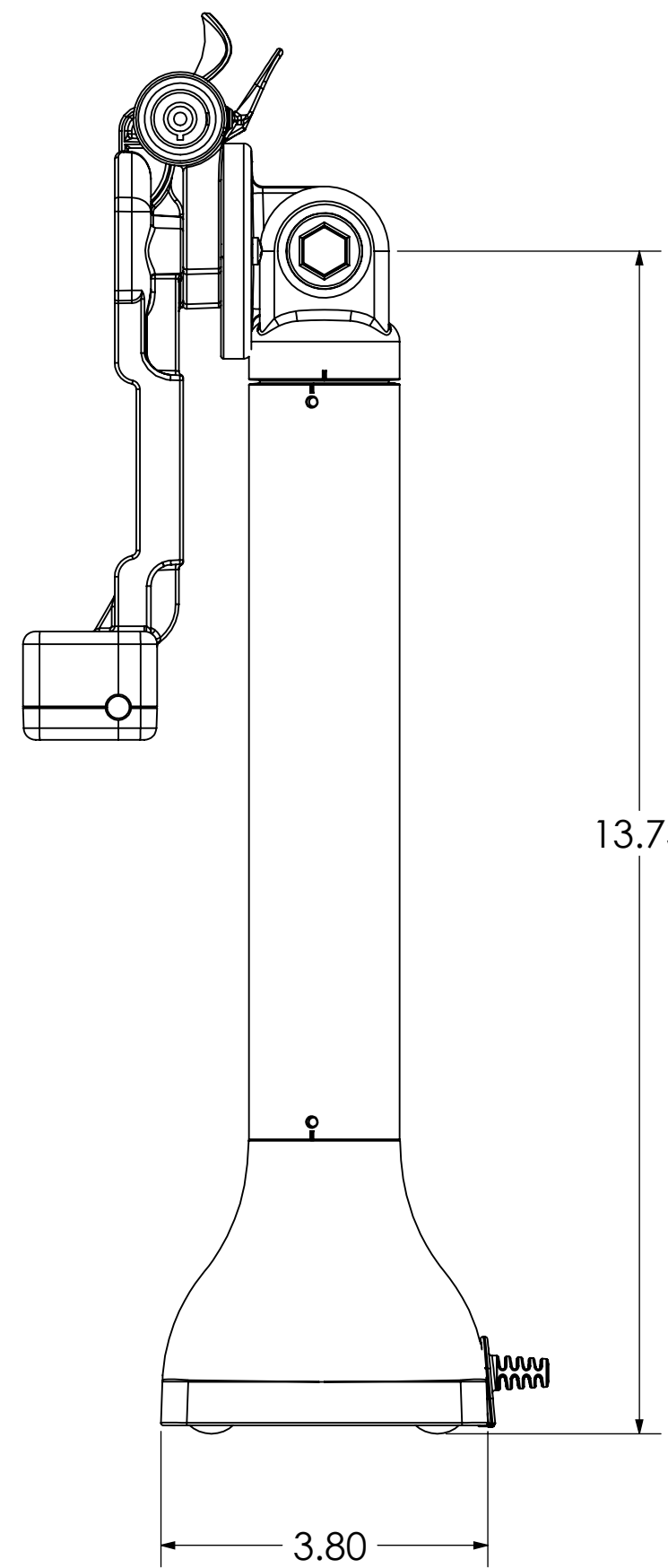
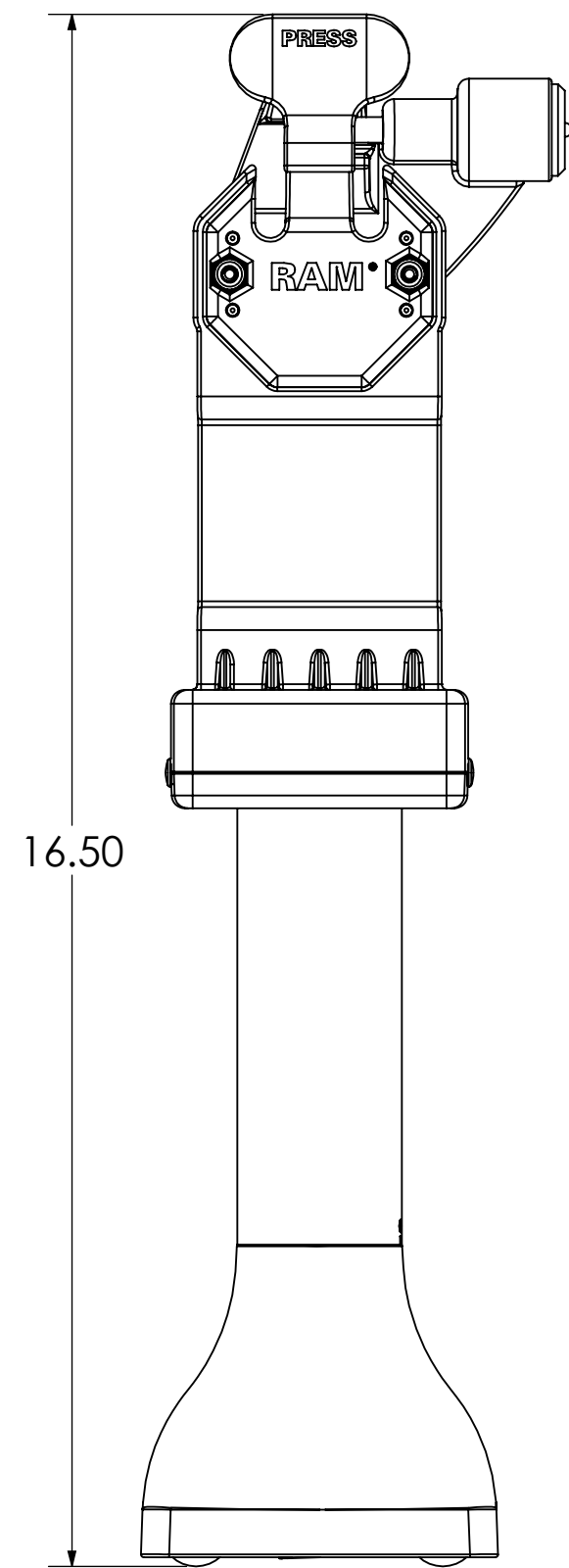
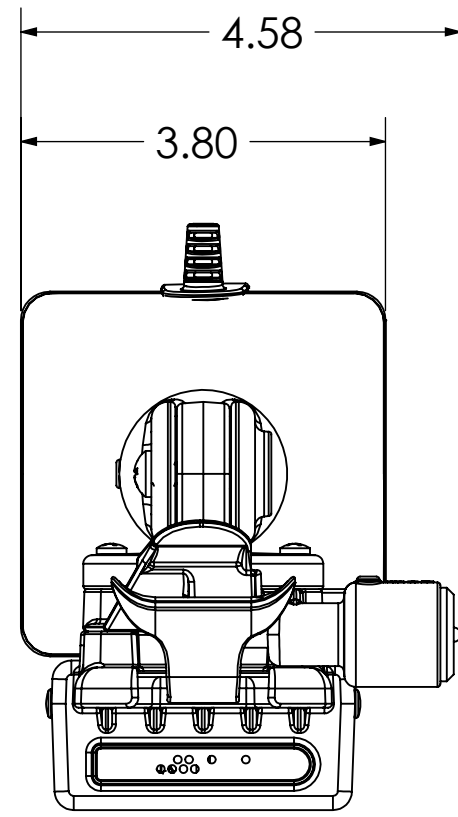


THE INFORMATION CONTAINED IN THIS DRAWING IS THE SOLE PROPERTY OF NATIONAL PRODUCTS INC. ANY REPRODUCTION IN PART OR WHOLE WITHOUT THE WRITTEN PERMISSION OF NATIONAL PRODUCTS INC. IS PROHIBITED.

| REVISIONS | | DATE | APPROVED |
|-----------|-------------|------|----------|
| REV. | DESCRIPTION | | |
| | | | |
| | | | |



| | | | | | | |
|---|------------|---|------|---------------------------|-------------------------------|----------|
| UNLESS OTHERWISE SPECIFIED DIMENSIONS ARE IN INCHES TOLERANCES ARE: | | CAD GENERATED DRAWING. DO NOT MANUALLY UPDATE | | NATIONAL PRODUCTS INC. | | |
| FRACTIONS | DECIMALS | APPROVALS | DATE | D11 DOCK - 14" U1 LOCKING | | |
| ±1/32 | .xx ±.03 | DRAWN | JDS | | | 09/03/24 |
| | .xxx ±.010 | CHECKED | | | | |
| MATERIAL | | RESP ENG | | | | |
| FINISH | | MFG ENG | | | SIZE (DWG. NO.) | |
| DO NOT SCALE DRAWING | | QUAL ENG | | | C RAM-GDS-DOCKLR-D11-14-U1C | |
| | | | | SCALE: 1 TO 1 | CAD FILE: SHEET 1 OF 1 | |