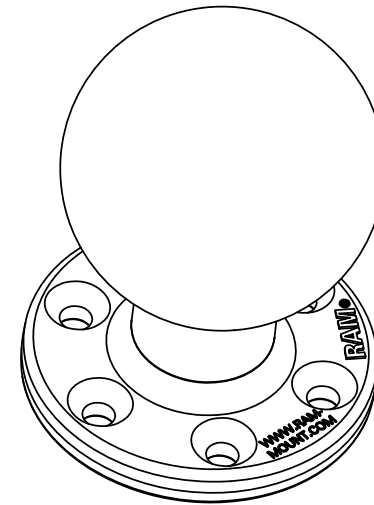
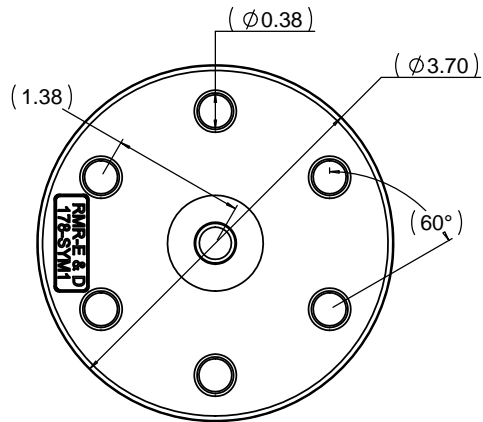
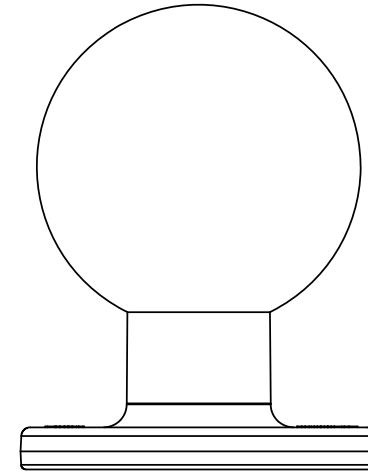
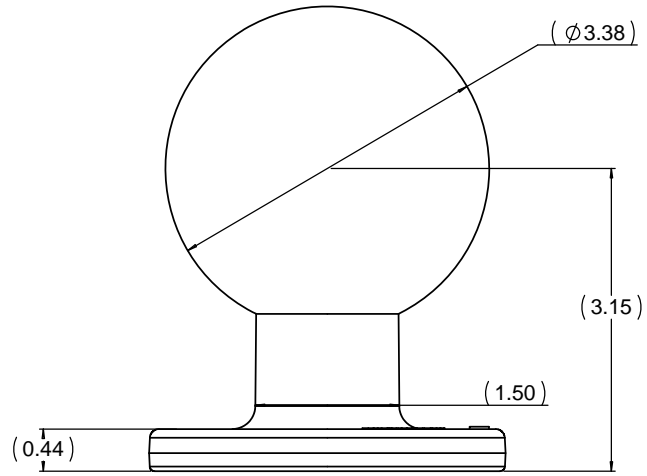


THE INFORMATION CONTAINED IN THIS DRAWING IS THE SOLE PROPERTY OF NATIONAL PRODUCTS INC. ANY REPRODUCTION IN PART OR WHOLE WITHOUT THE WRITTEN PERMISSION OF NATIONAL PRODUCTS INC. IS PROHIBITED.

REVISIONS		DATE	APPROVED
REV	DESCRIPTION		



UNLESS OTHERWISE SPECIFIED DIMENSIONS ARE IN INCHES. TOLERANCES ARE: FRACTIONS: DECIMALS: ANGLES: ± 1/32 XX ± .03 ± .1 DEG. XXX ± .010		CAD GENERATED DRAWING. DO NOT MANUALLY UPDATE.		NATIONAL PRODUCTS INC.	
APPROVALS		DATE		RAM 3.70" DIA. BASE WITH 3.38" DIA. RUBBER BALL  RAM-E-202-SYM1	
DRAWN JDC		04/10/09			
CHECKED CMR		04/10/09			
MATERIAL: ALUMINUM		RESP: ENG		SCALE: 1 TO 1	
FINISH: BLACK POWDER COAT		MFG: ENG		CADD: TEL: RMRE178SYM1	
DO NOT SCALE DRAWING		QUAL: ENG		SHEET 1 OF 1	