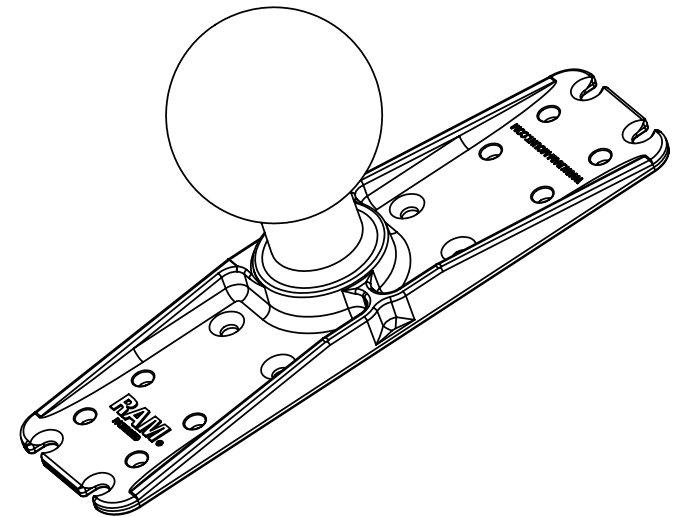
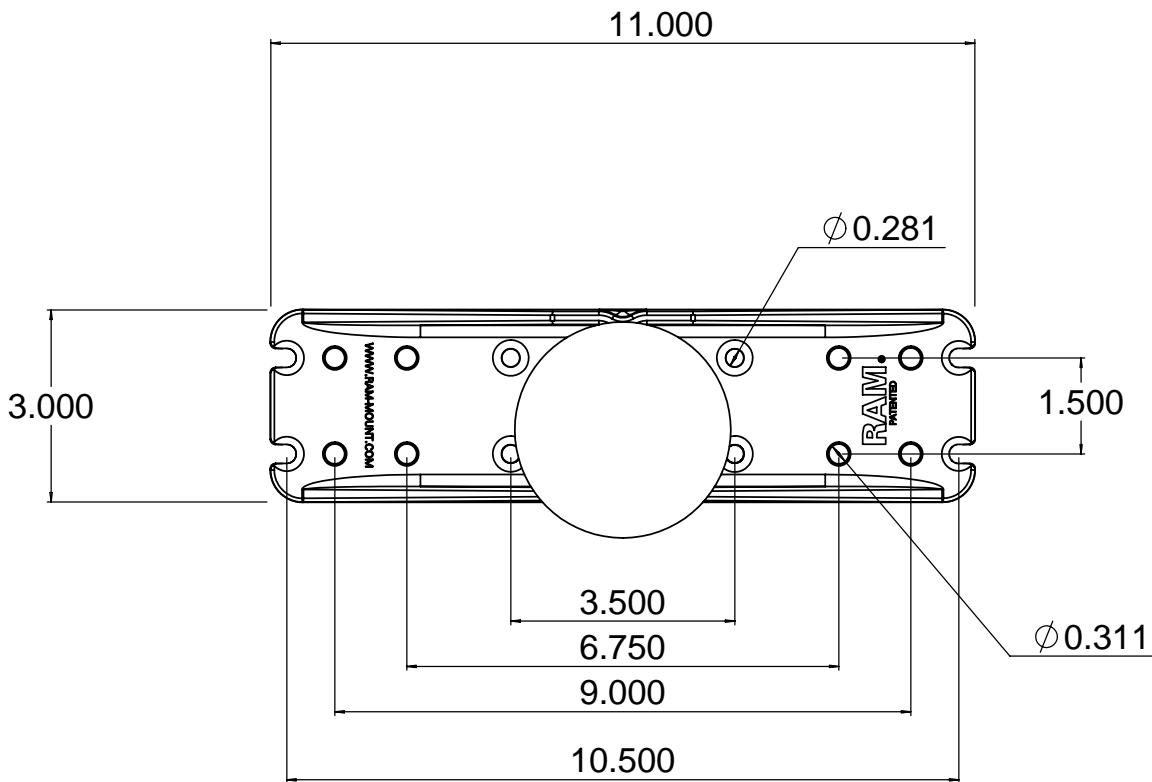
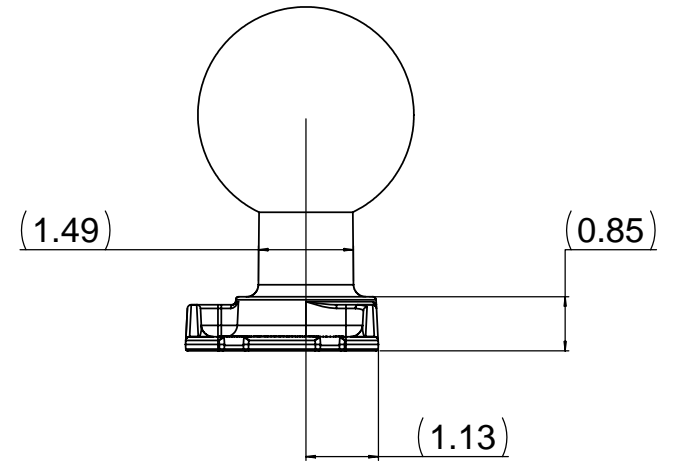
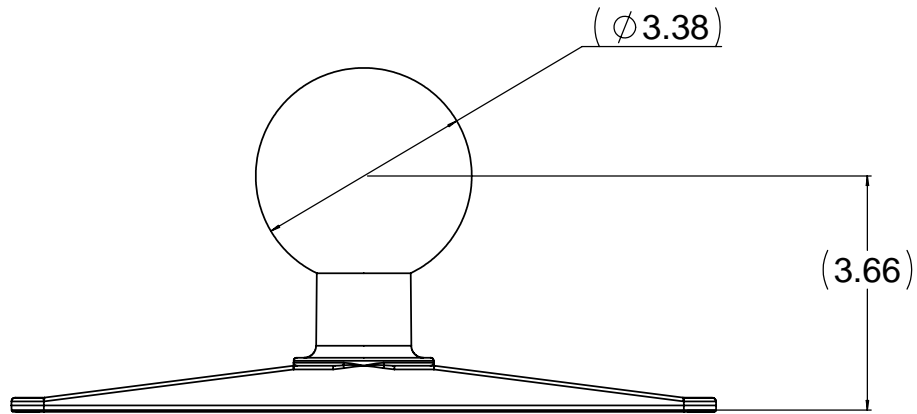


THE INFORMATION CONTAINED IN THIS DRAWING IS THE SOLE PROPERTY OF NATIONAL PRODUCTS INC. ANY REPRODUCTION IN PART OR WHOLE WITHOUT THE WRITTEN PERMISSION OF NATIONAL PRODUCTS INC. IS PROHIBITED.

| REV. | | DESCRIPTION | REVISIONS | DATE | APPROVED |
|------|--|-------------|-----------|------|----------|
| | | | | | |
| | | | | | |



| | | | | | |
|---|--|--|--|------------------------|--|
| UNLESS OTHERWISE SPECIFIED DIMENSIONS ARE IN INCHES. TOLERANCES ARE: FRACTIONS: DECIMALS: ANGLES: + 1/32 - .003 + .1 DEG. .XXX+ - .010 | | CAD GENERATED DRAWING. DO NOT MANUALLY UPDATE. | | NATIONAL PRODUCTS INC. | |
| APPROVALS | | DATE | | DRAWN | |
| DRAWN JDC | | 03/26/07 | | CHECKED CMR | |
| MATERIAL ALUMINUM | | RESP. ENG. | | SCALE 1 TO 1 | |
| FINISH BLACK | | MFG. ENG. | | C | |
| DO NOT SCALE DRAWING | | QUAL. ENG. | | SHEET 1 OF 1 | |
| PART NO. RAM-E-111B | | | | REV. | |
| CAD FILE: RAME111B | | | | SHEET 1 OF 1 | |