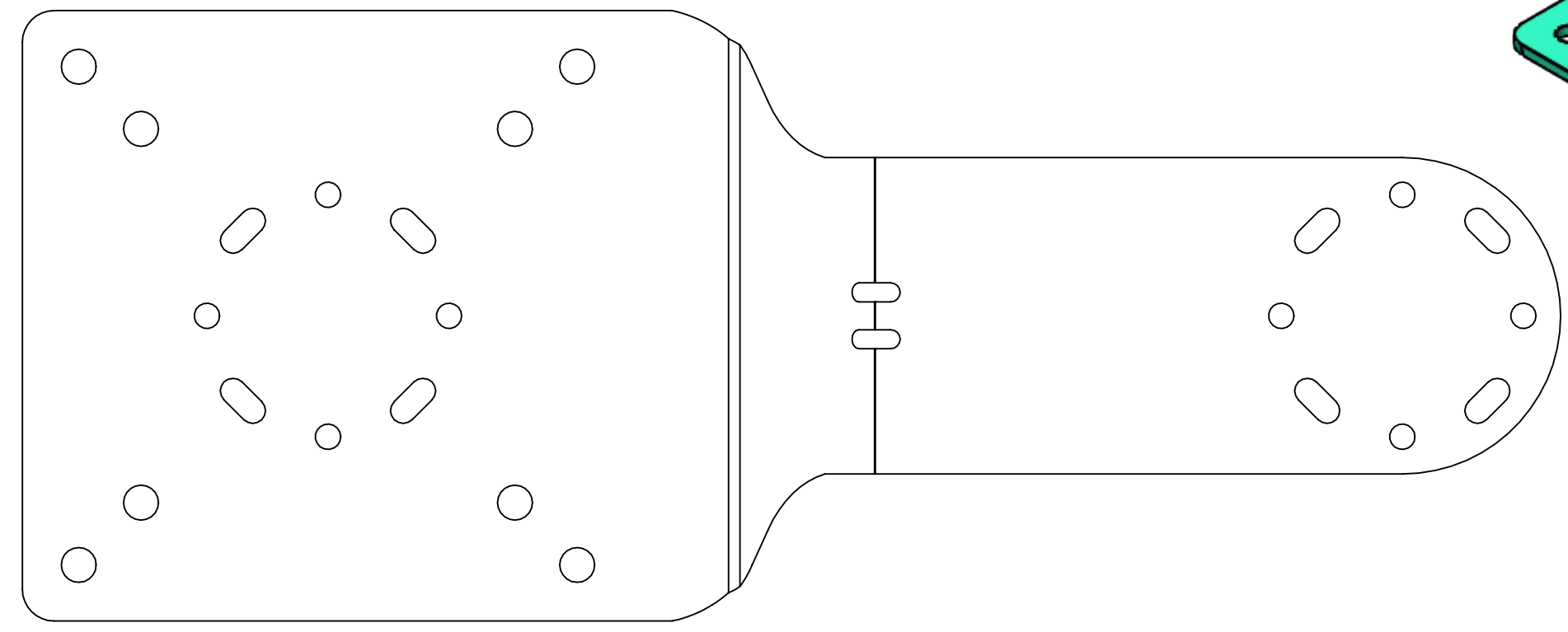
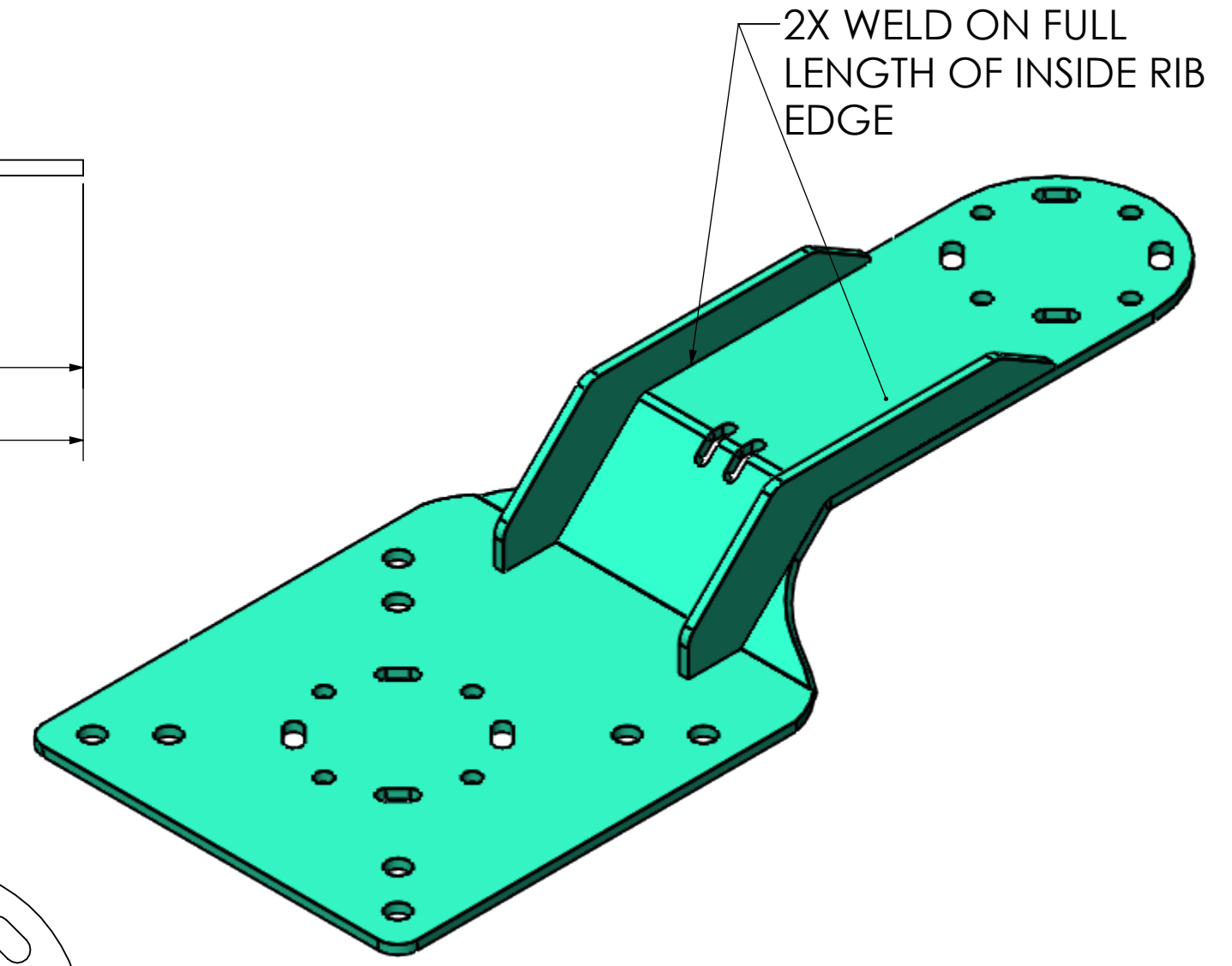
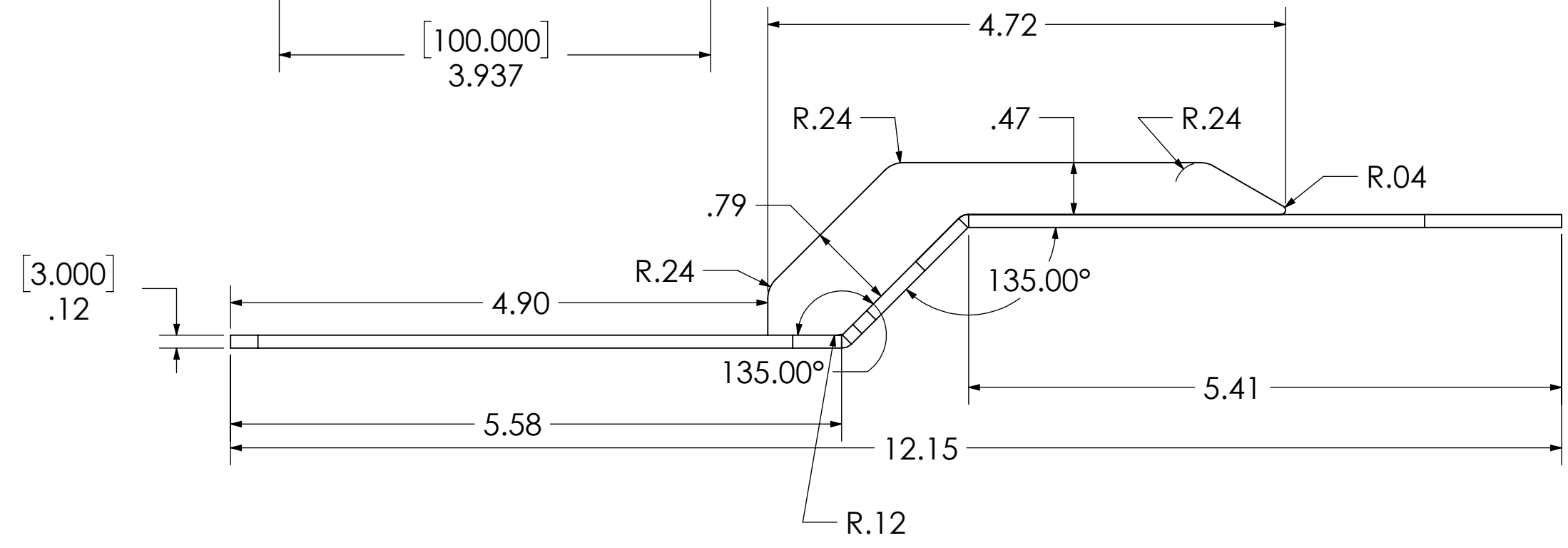
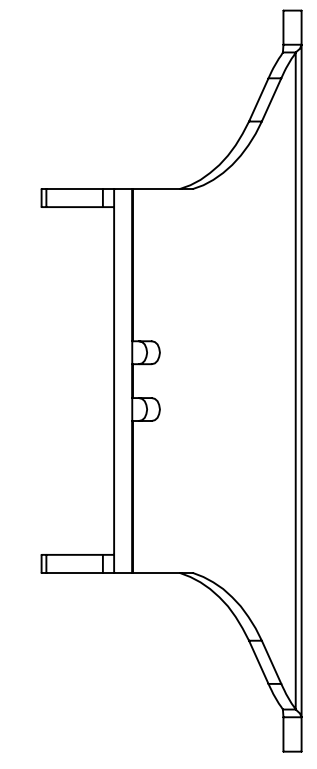
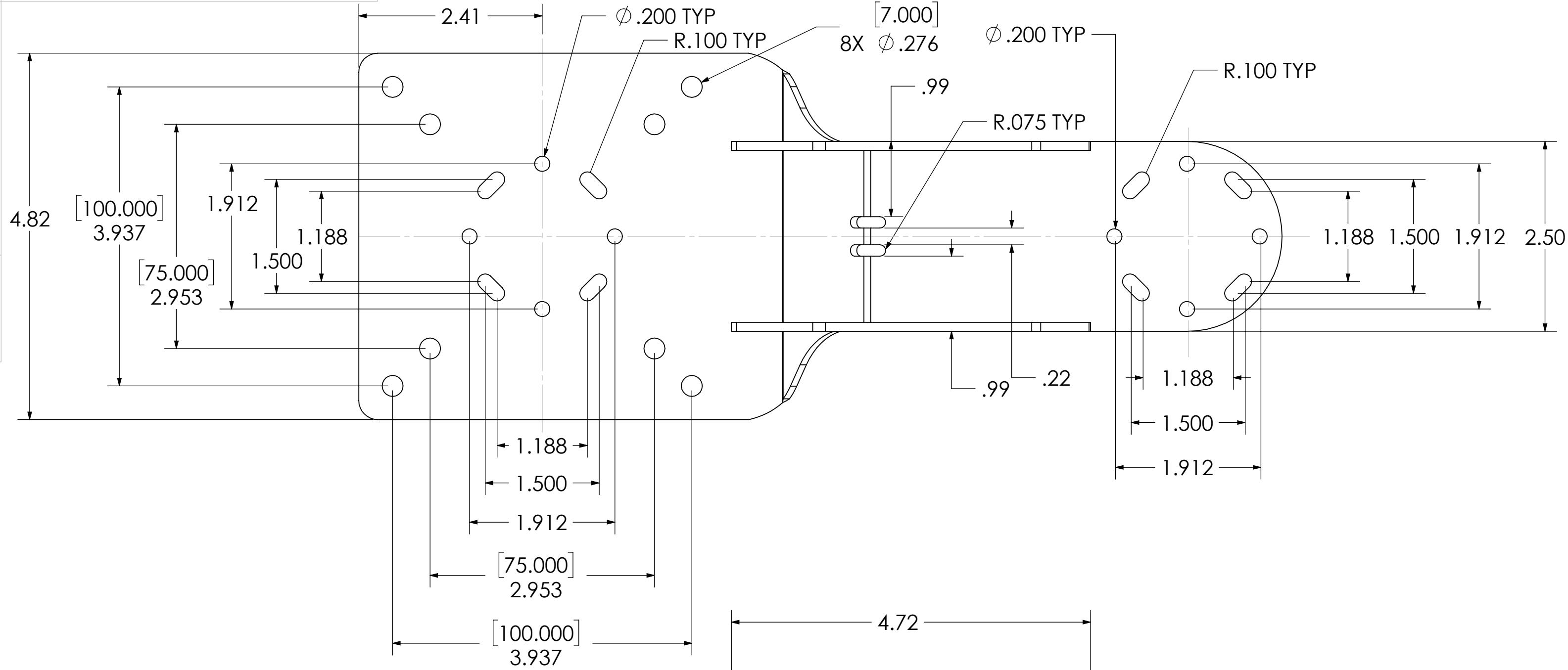


THE INFORMATION CONTAINED IN THIS DRAWING IS THE SOLE PROPERTY OF NATIONAL PRODUCTS INC. ANY REPRODUCTION IN PART OR WHOLE WITHOUT THE WRITTEN PERMISSION OF NATIONAL PRODUCTS INC. IS PROHIBITED.

REV.		DESCRIPTION	REVISIONS		DATE	APPROVED



UNLESS OTHERWISE SPECIFIED DIMENSIONS ARE IN INCHES TOLERANCES ARE: FRACTIONS DECIMALS ANGLES ±1/32 .xx±.03 1° xxx±.010	CAD GENERATED DRAWING. DO NOT MANUALLY UPDATE		NATIONAL PRODUCTS INC.	
	APPROVALS	DATE	RAM KEYBOARD / DISPLAY 12.16" BRACKET	
	DRAWN QIK	01/10/22	SIZE DWG. NO.	RMR-DIS-103-2-A
	CHECKED		SCALE 1 TO 1	CAD FILE: SHEET 1 OF 1
MATERIAL	3MM THICK MILD STEEL	RESP ENG		
FINISH	FLAT BLACK TEXTURED POWDER COAT	MFG ENG		
DO NOT SCALE DRAWING	QUAL ENG			