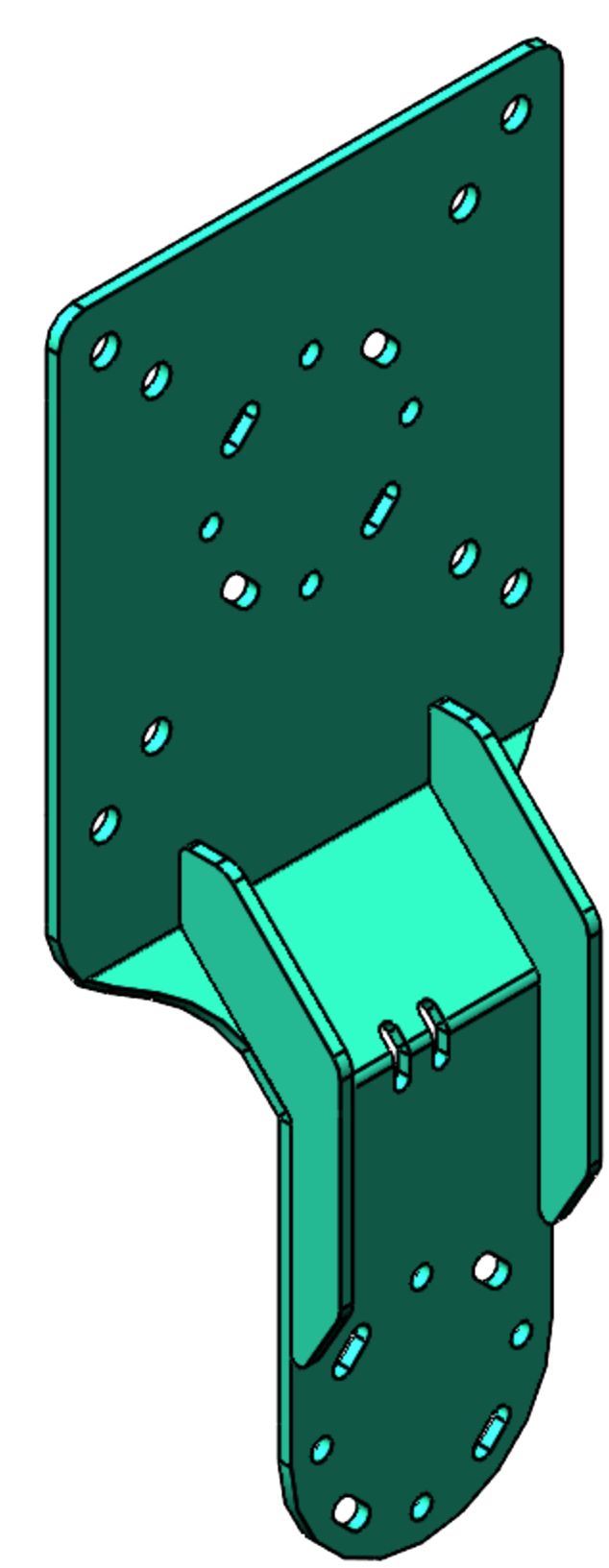
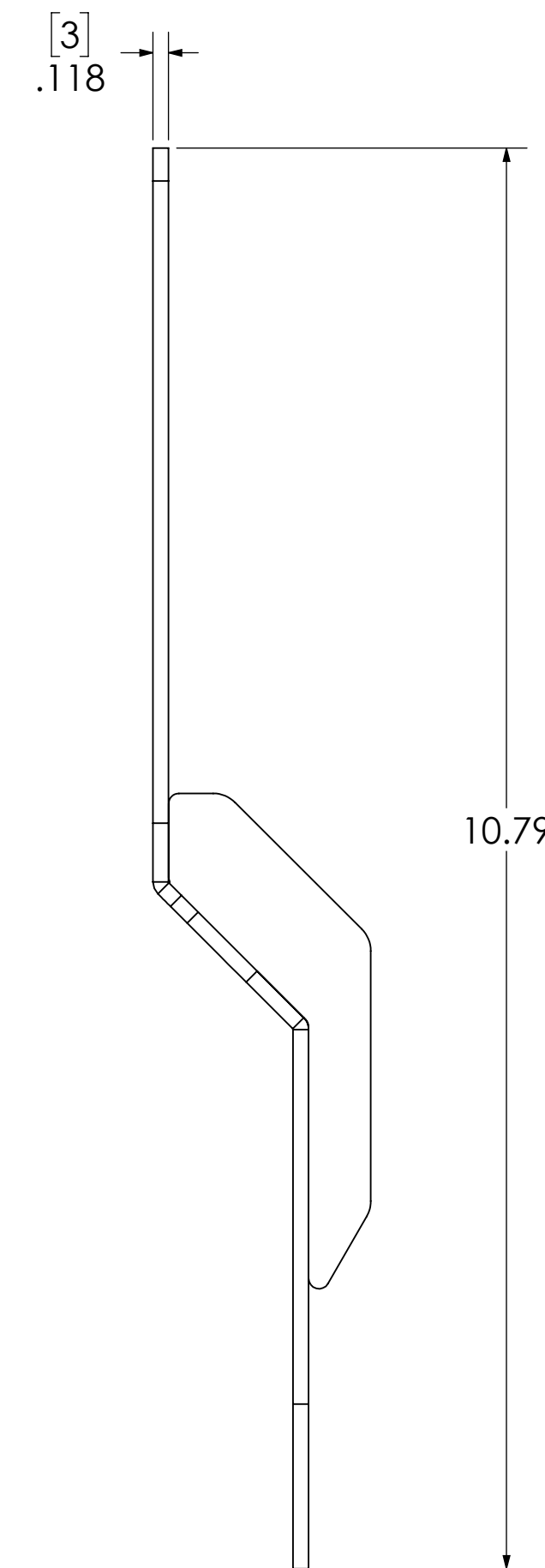
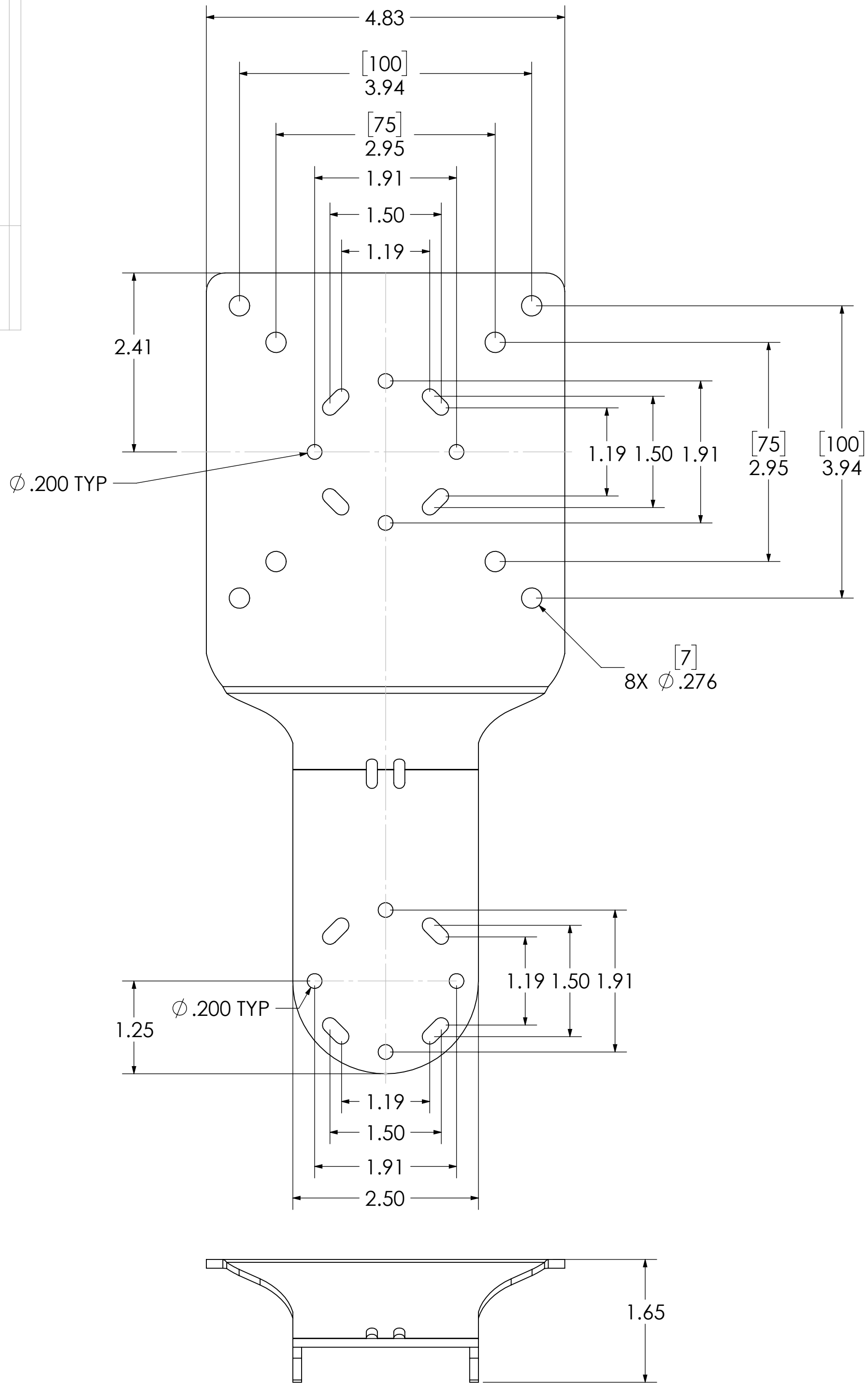


THE INFORMATION CONTAINED IN THIS DRAWING IS THE SOLE PROPERTY OF NATIONAL PRODUCTS INC. ANY REPRODUCTION IN PART OR WHOLE WITHOUT THE WRITTEN PERMISSION OF NATIONAL PRODUCTS INC. IS PROHIBITED.

REV.	DESCRIPTION	REVISIONS	DATE	APPROVED
A	INITIAL RELEASE		01/23/24	JDS



UNLESS OTHERWISE SPECIFIED DIMENSIONS ARE IN INCHES TOLERANCES ARE: FRACTIONS DECIMALS ANGLES $\pm 1/32$.xx $\pm .03$ 1° xxx $\pm .010$	CAD GENERATED DRAWING. DO NOT MANUALLY UPDATE	NATIONAL PRODUCTS INC.	
MATERIAL 3MM THICK MILD STEEL	APPROVALS DRAWN JDS CHECKED SMG RESP ENG	DATE 01/22/24 01/23/24	RAM KEYBOARD / DISPLAY 10.79" BRACKET WITH RIBS
FINISH FLAT BLACK TEXTURED POWDER COAT	MFG ENG QUAL ENG	SIZE (DWG. NO.) SCALE 1 TO 1 CAD FILE:	REV. A RAM-DIS-103-1AU SHEET 1 OF 1