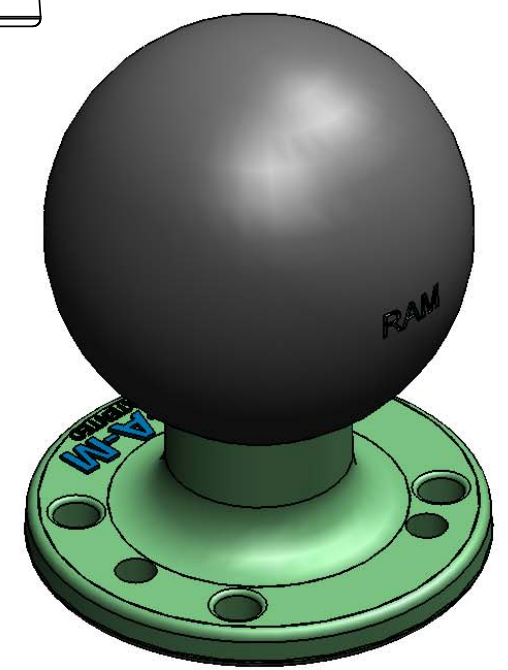
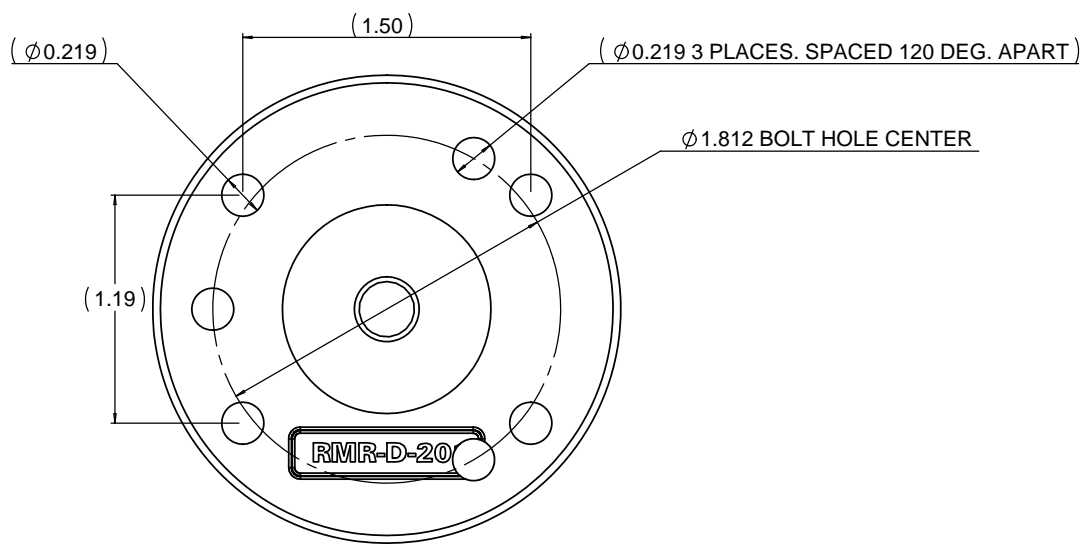
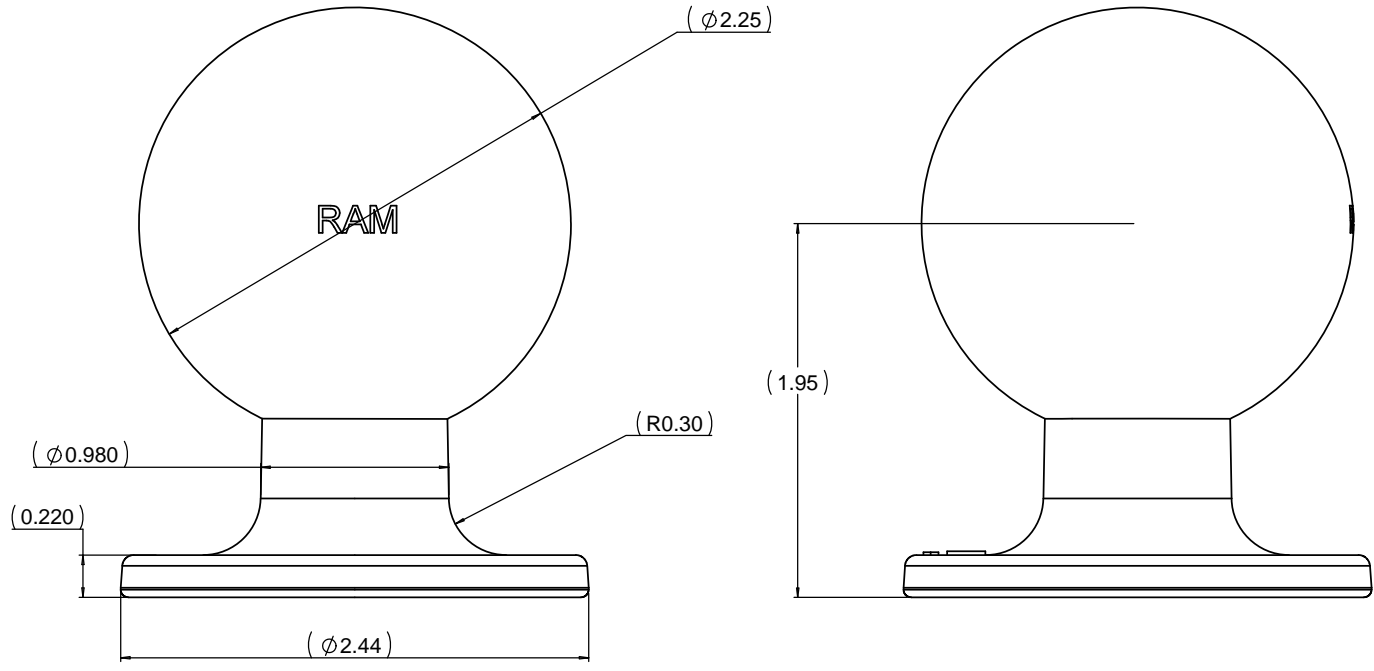


THE INFORMATION CONTAINED IN THIS DRAWING IS THE SOLE PROPERTY OF NATIONAL PRODUCTS INC. ANY REPRODUCTION IN PART OR WHOLE WITHOUT THE WRITTEN PERMISSION OF NATIONAL PRODUCTS INC. IS PROHIBITED.

REV	DESCRIPTION	REVISIONS	DATE	APPROVED



UNLESS OTHERWISE SPECIFIED DIMENSIONS ARE IN INCHES TOLERANCES ARE: FRACTIONS DECIMALS ANGLES + 1/32 - .006 + .1 DEG. XXX - .010	CAD GENERATED DRAWING. DO NOT MANUALLY UPDATE		NATIONAL PRODUCTS INC.	
	APPROVALS	DATE	RAM 2 1/2" DIA. BASE WITH 2 1/4" DIA. RUBBER BALL AND 7 MOUNTING HOLES	
MATERIAL ALUMINUM, RUBBER	DRAWN JDC	02/08/16	CHECKED CMR	02/08/16
FINISH BLACK	DESIGNED BY MSP	ENG	DATE 02/08/16	REV 01
DO NOT SCALE DRAWING	QUAL ENG	SCALE 1 TO 1	CAD FILE: RAM-D-254-WDT	SHEET 1 OF 1