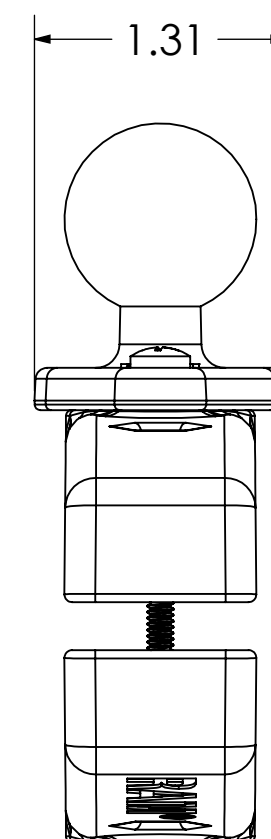
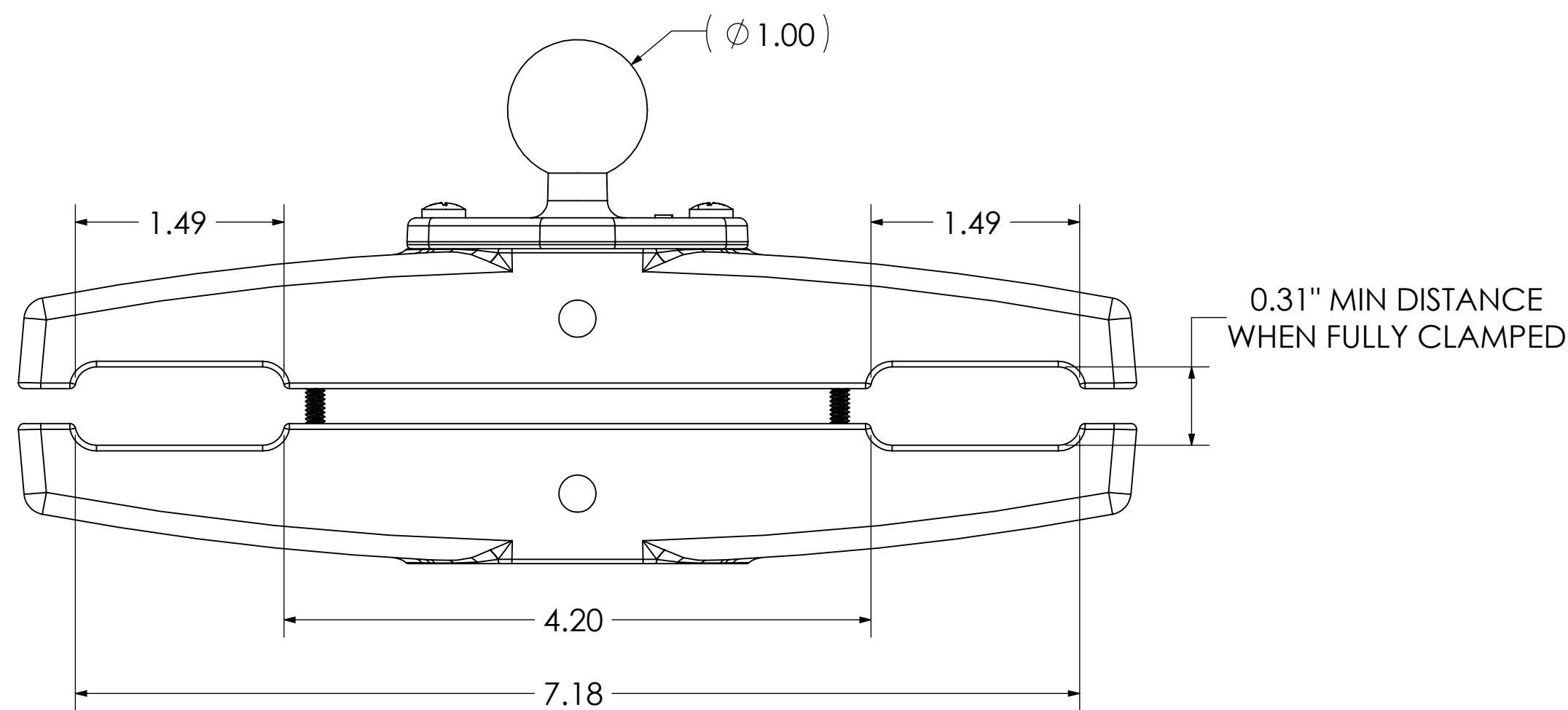
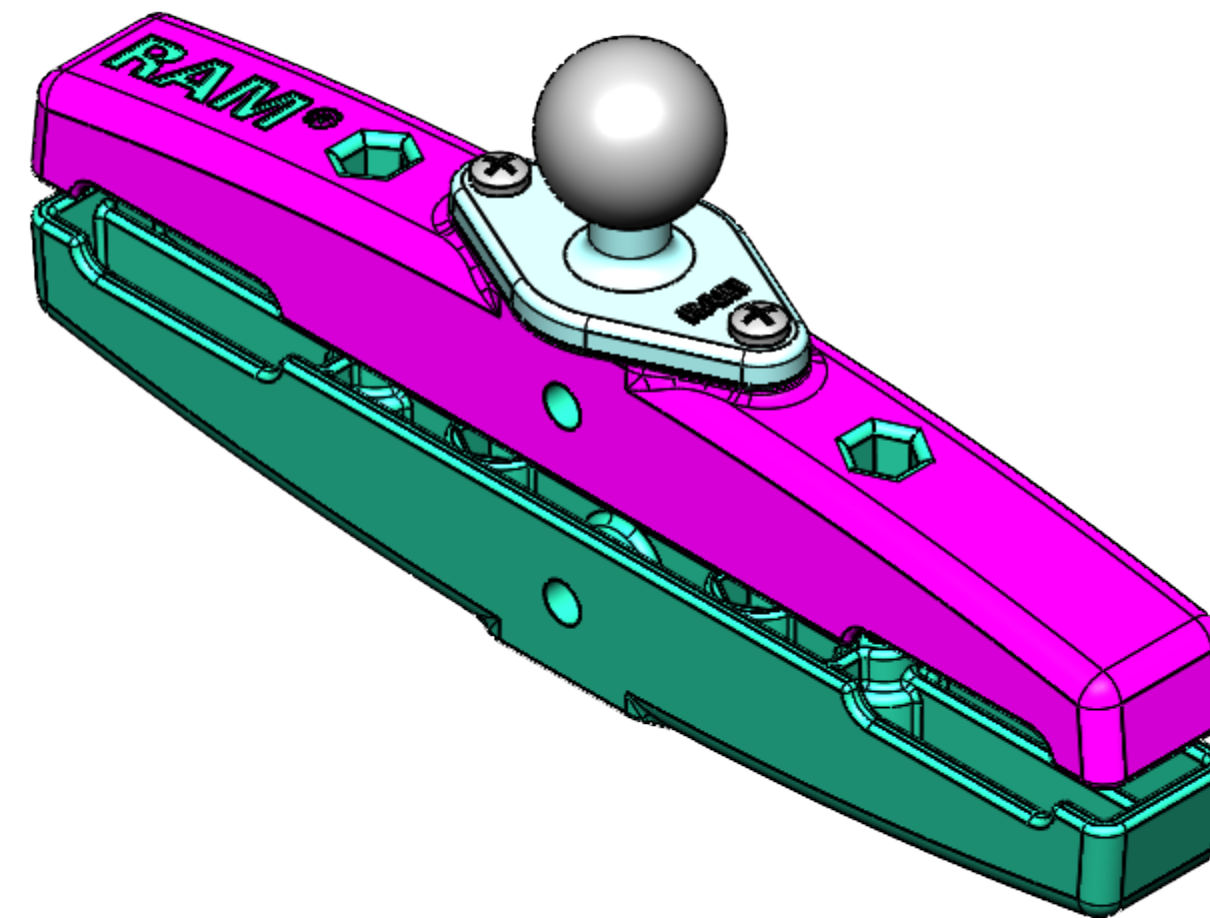
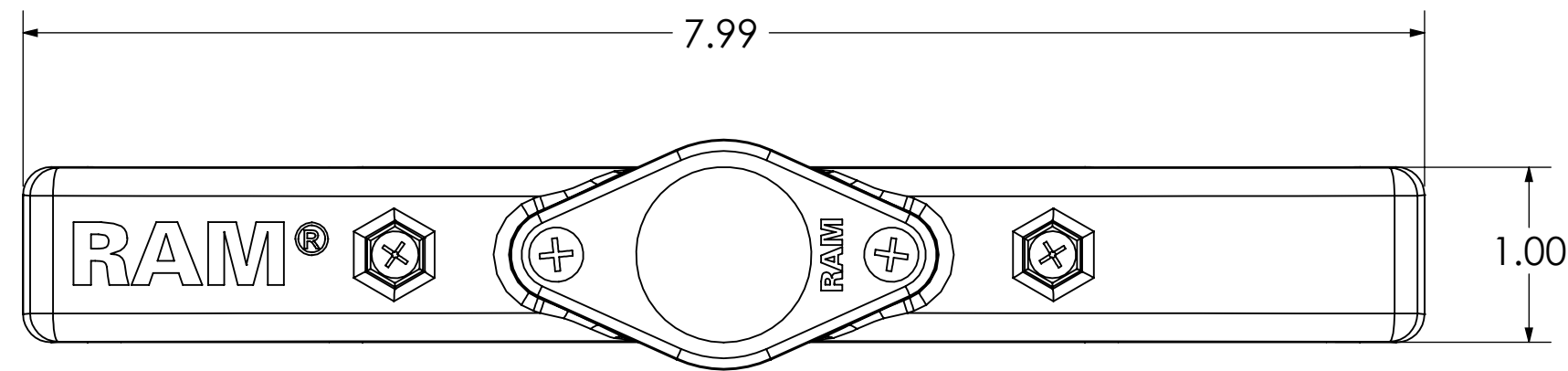


THE INFORMATION CONTAINED IN THIS DRAWING IS THE SOLE PROPERTY OF NATIONAL PRODUCTS INC. ANY REPRODUCTION IN PART OR WHOLE WITHOUT THE WRITTEN PERMISSION OF NATIONAL PRODUCTS INC. IS PROHIBITED.

REVISIONS		DATE	APPROVED
REV.	DESCRIPTION		



UNLESS OTHERWISE SPECIFIED DIMENSIONS ARE IN INCHES TOLERANCES ARE: FRACTIONS DECIMALS ANGLES ±1/32 .xx±.03 1° MATERIAL FINISH DO NOT SCALE DRAWING	CAD GENERATED DRAWING. DO NOT MANUALLY UPDATE APPROVALS DRAWN: SMG CHECKED RESP ENG MFG ENG QUAL ENG	DATE 07/18/24	NATIONAL PRODUCTS INC.	
			RAM HEAD REST MOUNT WITH DIAMOND BALL	
SIZE: C	DWG. NO.: RAM-B-469U	REV.:	SCALE: 1 TO 1	CAD FILE: SHEET 1 OF 1