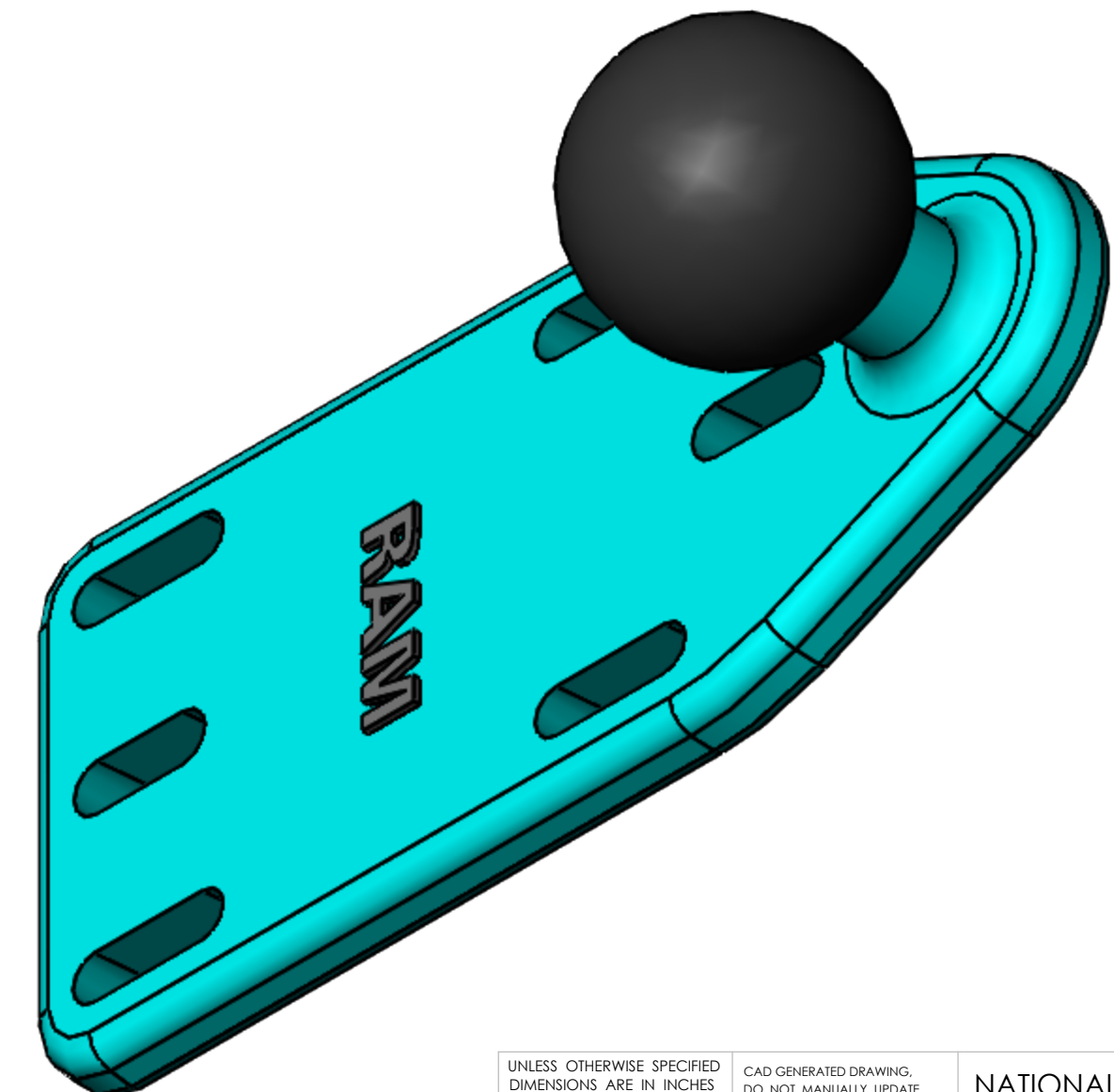
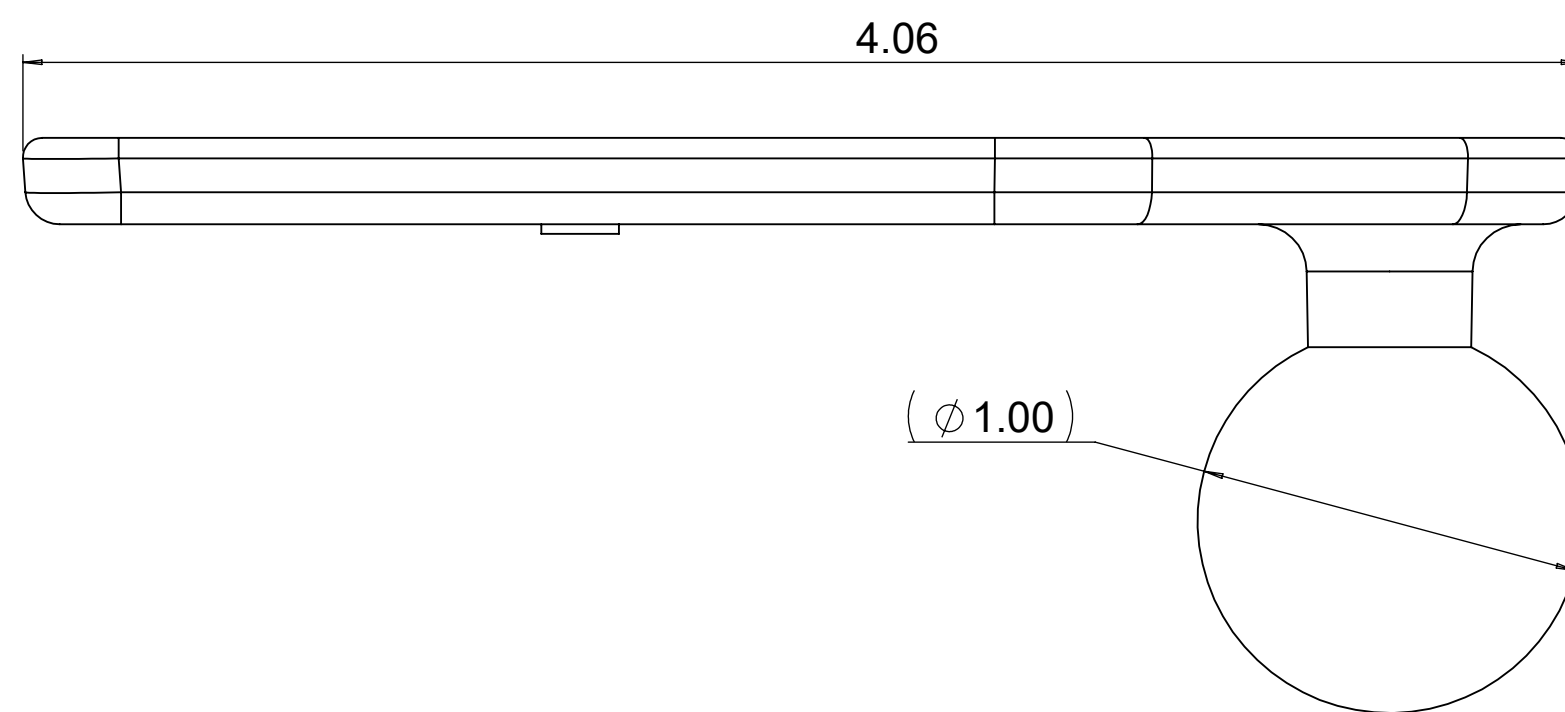
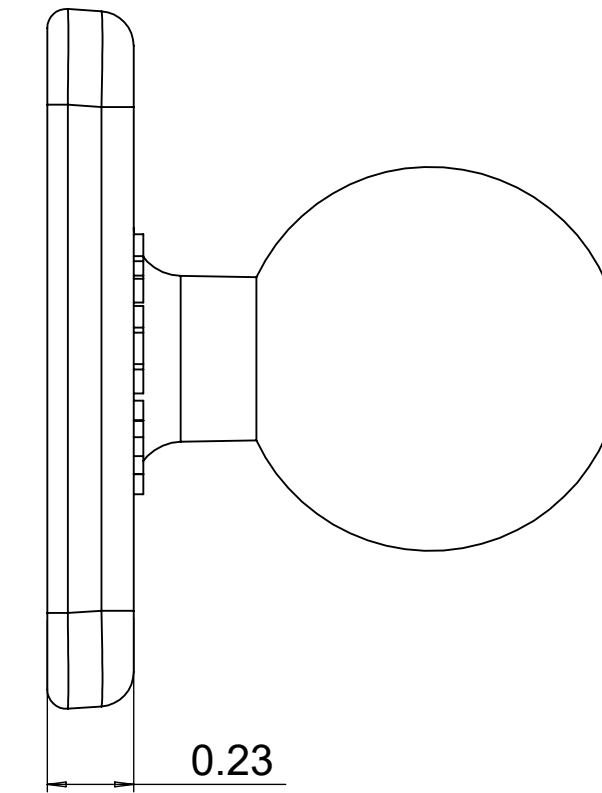
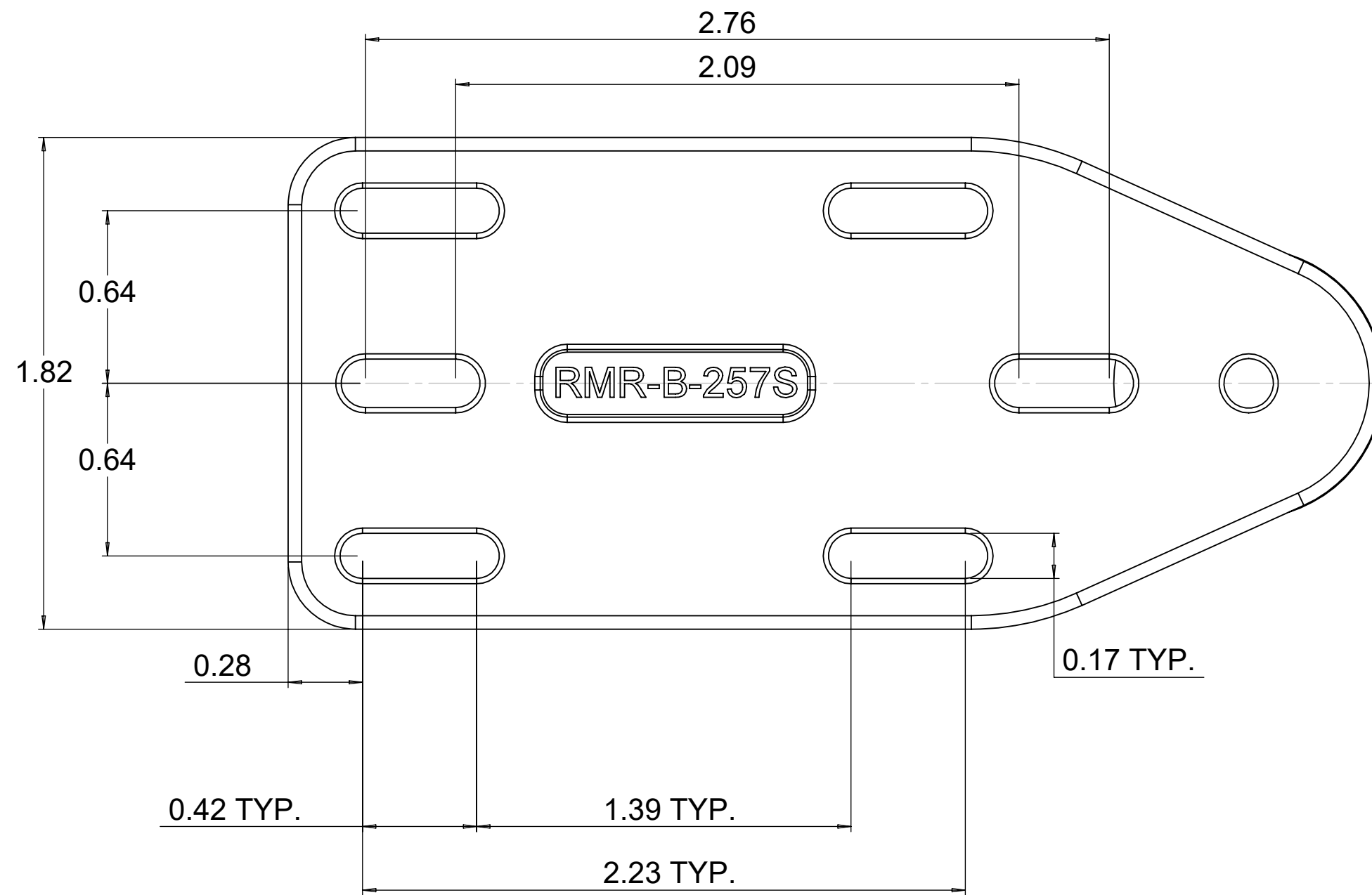


THE INFORMATION CONTAINED IN THIS DRAWING IS THE SOLE PROPERTY OF NATIONAL PRODUCTS INC. ANY REPRODUCTION IN PART OR WHOLE WITHOUT THE WRITTEN PERMISSION OF NATIONAL PRODUCTS INC. IS PROHIBITED.

REVISIONS		DATE	APPROVED
REV.	DESCRIPTION		



UNLESS OTHERWISE SPECIFIED DIMENSIONS ARE IN INCHES TOLERANCES ARE: FRACTIONS DECIMALS ANGLES + - 1/32 .XX+ -.03 + - 1 DEG. .XXX+ -.010		CAD GENERATED DRAWING. DO NOT MANUALLY UPDATE		NATIONAL PRODUCTS INC.	
APPROVALS		DATE		RAM SIDE RESEVOIR BASE WITH / 7/16" POST AND 1" DIA BALL SIZE C DWG. NO. RAM-B-346U REV. SCALE 1 TO 1 CAD FILE: SHEET 1 OF 1	
DRAWN QIK		11/10/20			
CHECKED					
MATERIAL MIXED		RESP ENG			
FINISH BLACK		MFG ENG			
DO NOT SCALE DRAWING		QUAL ENG			