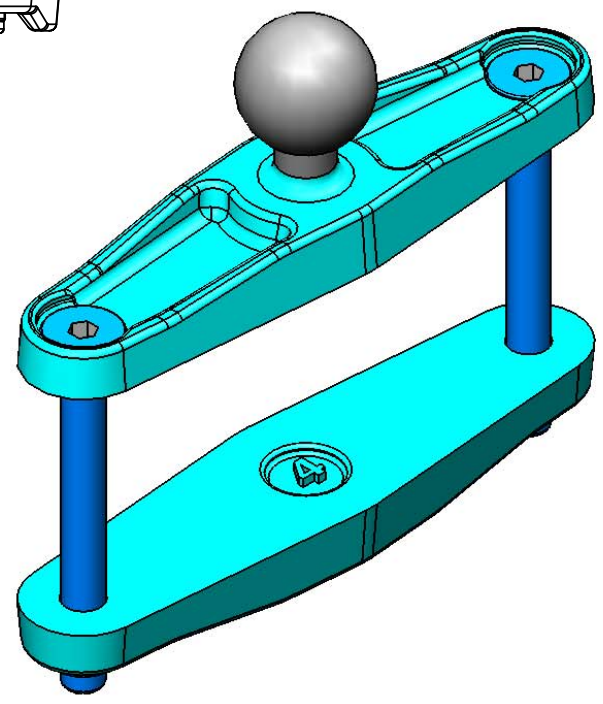
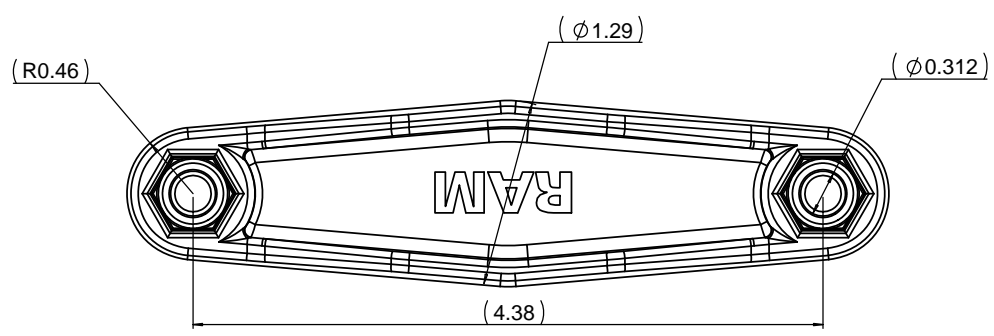
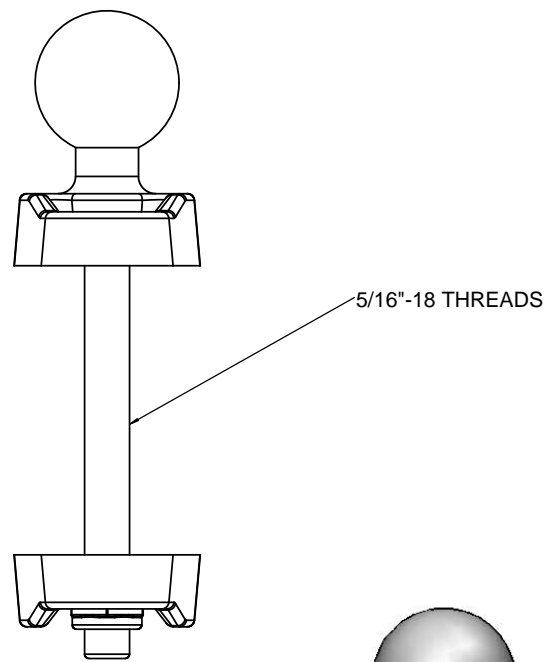
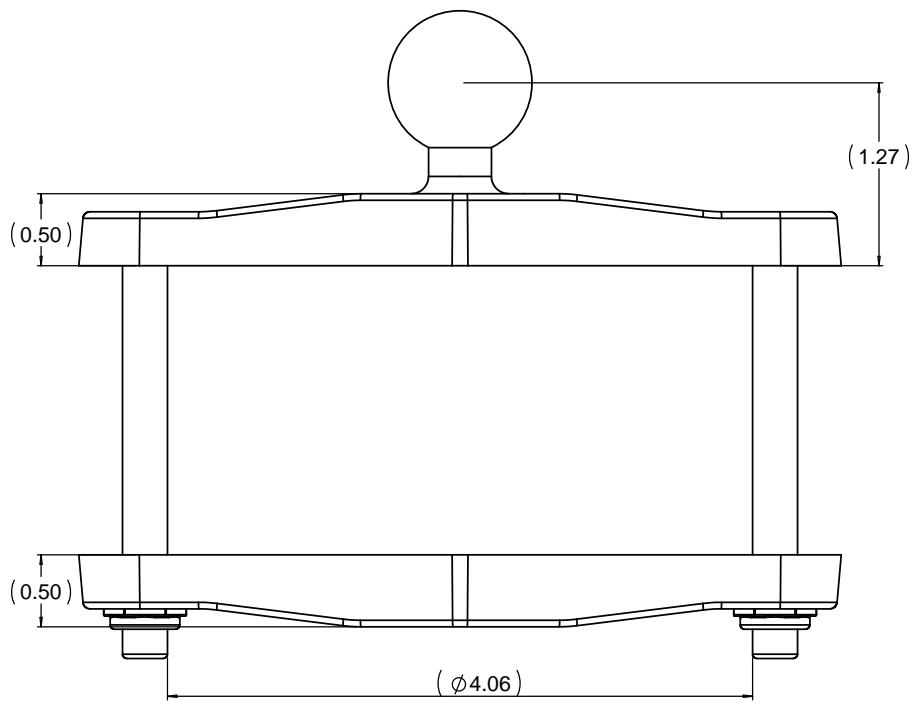


THE INFORMATION CONTAINED IN THIS DRAWING IS THE SOLE PROPERTY OF NATIONAL PRODUCTS INC. ANY REPRODUCTION IN PART OR WHOLE WITHOUT THE WRITTEN PERMISSION OF NATIONAL PRODUCTS INC. IS PROHIBITED.

REV		DESCRIPTION		REVISIONS		DATE	APPROVED



UNLESS OTHERWISE SPECIFIED DIMENSIONS ARE IN INCHES		CAD GENERATED DRAWING. DO NOT MANUALLY UPDATE		NATIONAL PRODUCTS INC.	
TOLERANCES ARE:		APPROVALS		DATE	
FRACTIONS: XX ± .06		DRAWN JDC		02/09/16	
DECIMALS: .XX ± .00		CHECKED CMR		09/02/16	
ANGLES: XXX ± .030		RESP ENG			
MATERIAL: ALUMINUM, SST, RUBBER		MFG ENG			
FINISH: BLACK		QUAL ENG			
DO NOT SCALE DRAWING		SCALE: 1 TO 1		CAD: TEL: RAM-B-247U-4 SHEET 1 OF 1	