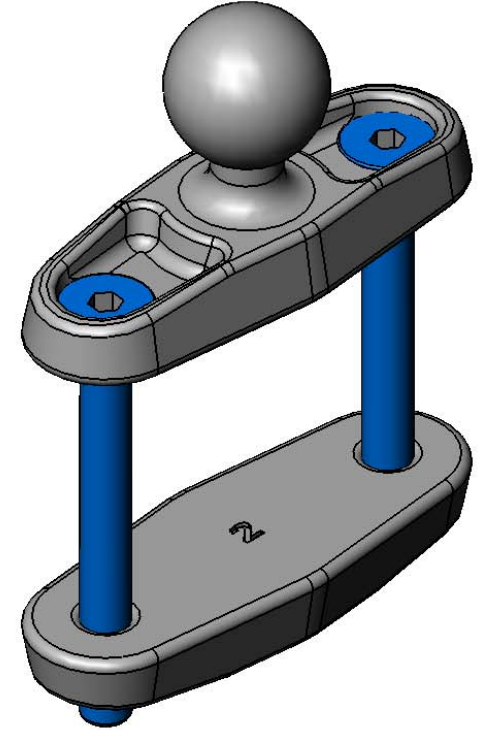
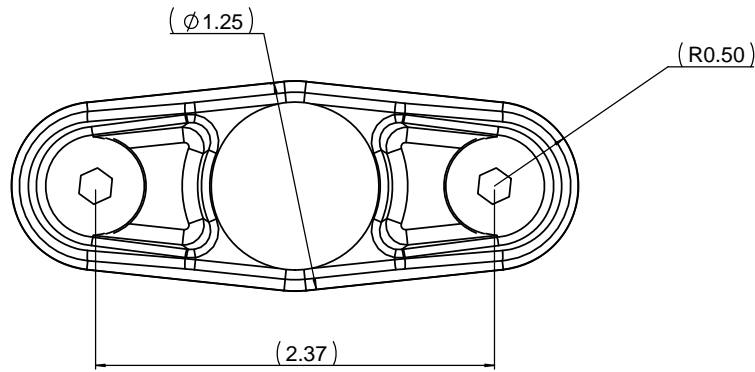
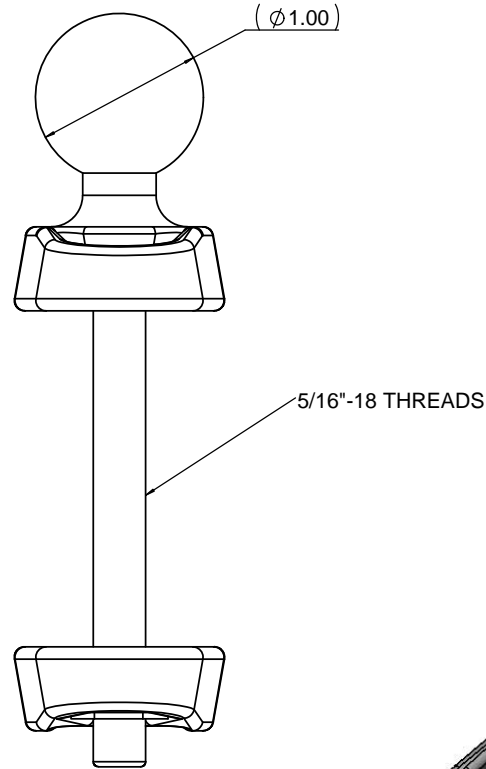
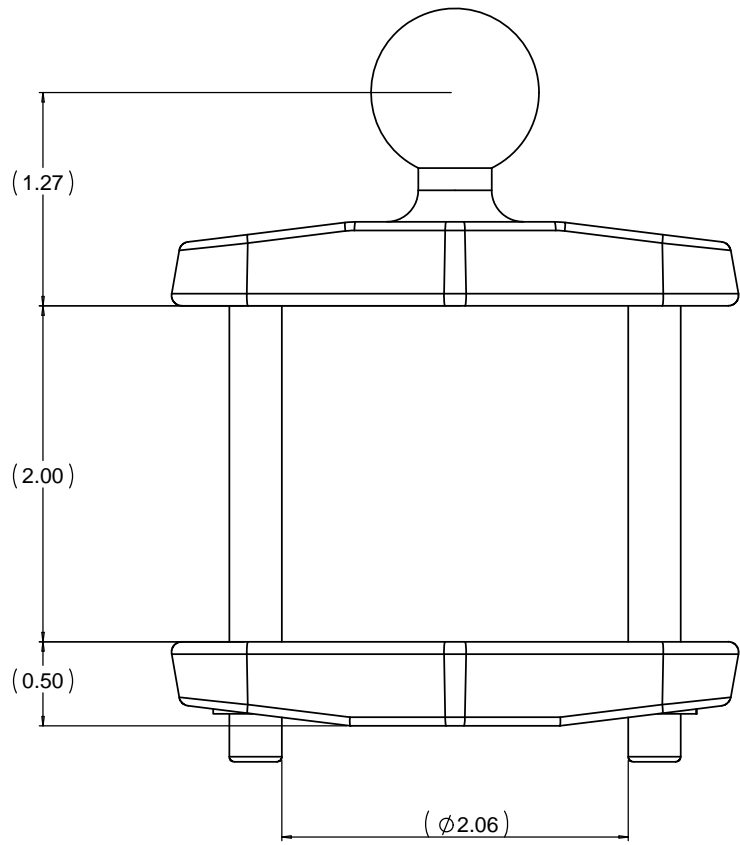


THE INFORMATION CONTAINED IN THIS DRAWING IS THE SOLE PROPERTY OF NATIONAL PRODUCTS INC. ANY REPRODUCTION IN PART OR WHOLE WITHOUT THE WRITTEN PERMISSION OF NATIONAL PRODUCTS INC. IS PROHIBITED.

REV		DESCRIPTION		REVISIONS		DATE	APPROVED



UNLESS OTHERWISE SPECIFIED DIMENSIONS ARE IN INCHES		CAD GENERATED DRAWING. DO NOT MANUALLY UPDATE		NATIONAL PRODUCTS INC.	
TOLERANCES ARE:		APPROVALS	DATE	RAM 2" MAX. CLAMP BASE WITH 1" RUBBER BALL	
FRACTIONS	DECIMALS	DRAWN	JDC	02/08/16	SCALE 1 TO 1
± 1/32	.XX ± .06	CHECKED	CMR	02/08/16	
ANGLES		RESP ENG	PART NO. RAM-B-247U-2		
XXX ± .030		MFG ENG	REV		
MATERIAL: ALUMINUM, SST, RUBBER		QUAL ENG	SHEET 1 OF 1		
FINISH: BLACK		CAD FILE: RAM-B-247U-2			
DO NOT SCALE DRAWING		1			