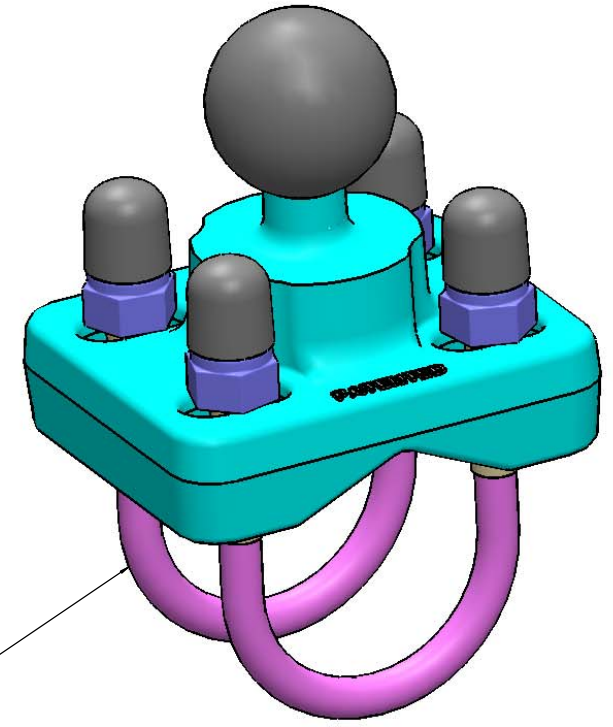
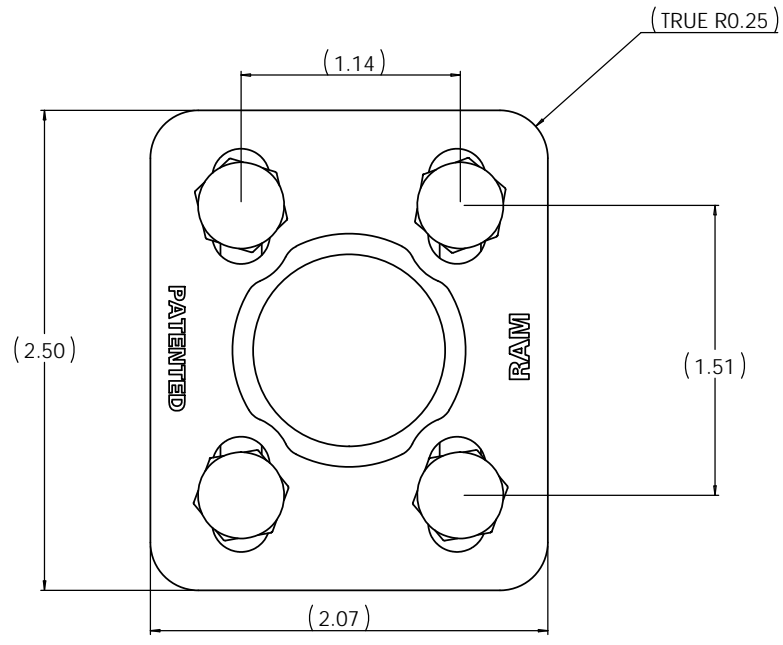
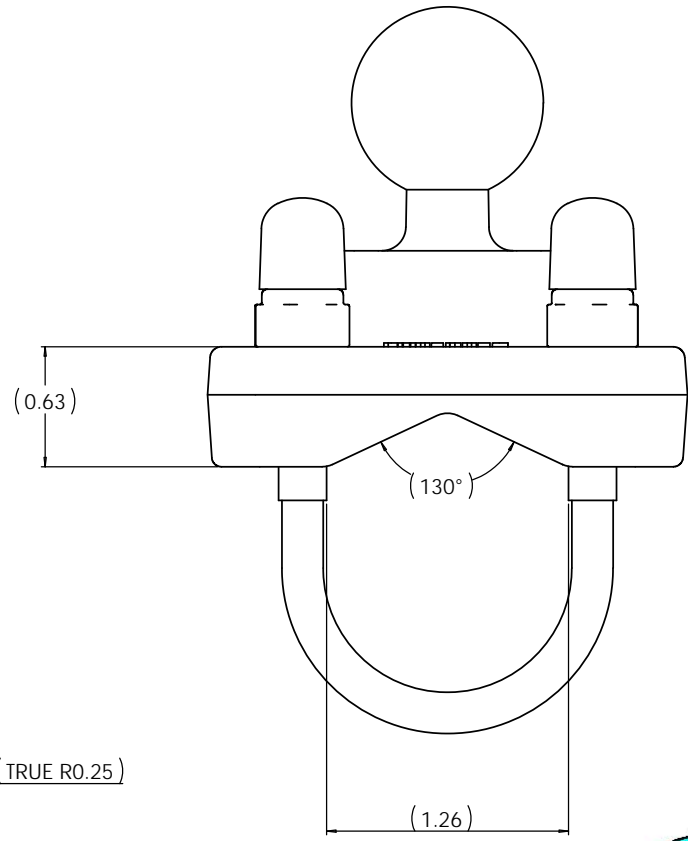
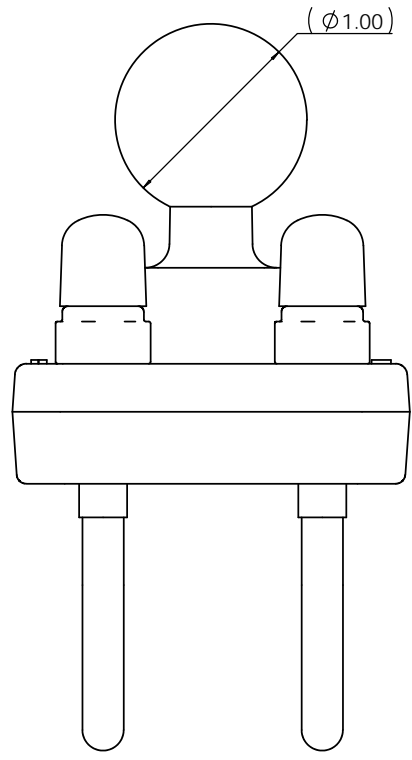


THE INFORMATION CONTAINED IN THIS DRAWING IS THE SOLE PROPERTY OF NATIONAL PRODUCTS INC. ANY REPRODUCTION IN PART OR WHOLE WITHOUT THE WRITTEN PERMISSION OF NATIONAL PRODUCTS INC. IS PROHIBITED.

REV.		DESCRIPTION	REVISIONS	DATE	APPROVED



UNLESS OTHERWISE SPECIFIED DIMENSIONS ARE IN INCHES TOLERANCES ARE: FRACTIONS: XX+ .06 - .11 DEG. DECIMALS: .XX+ .06 - .11 DEG. XXX+ .030	CAD GENERATED DRAWING. DO NOT MANUALLY UPDATE		NATIONAL PRODUCTS INC.	
	APPROVALS	DATE	RAM DBL U-BOLT BASE WITH 1" DIA. RUBBER BALL	
DRAWN	JDC	10/19/16	PART NO. RAM-B-235	
CHECKED	CMR	10/19/16	REV. C	
MATERIAL	ALUMINUM, RUBBER, STST	RESP. ENG.	SCALE 1 TO 1	
FINISH	BLACK POWDER COAT	MEG. ENG.	CAD. TEL: RAM-B-235	
DO NOT SCALE DRAWING	DUAL ENG.	QUAL. ENG.	SHEET 1 OF 1	