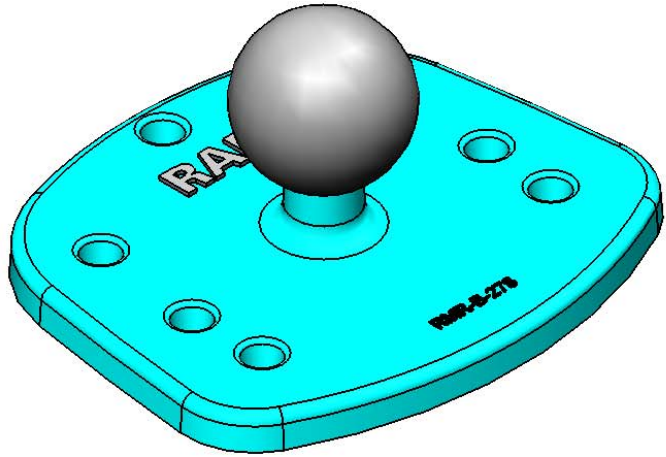
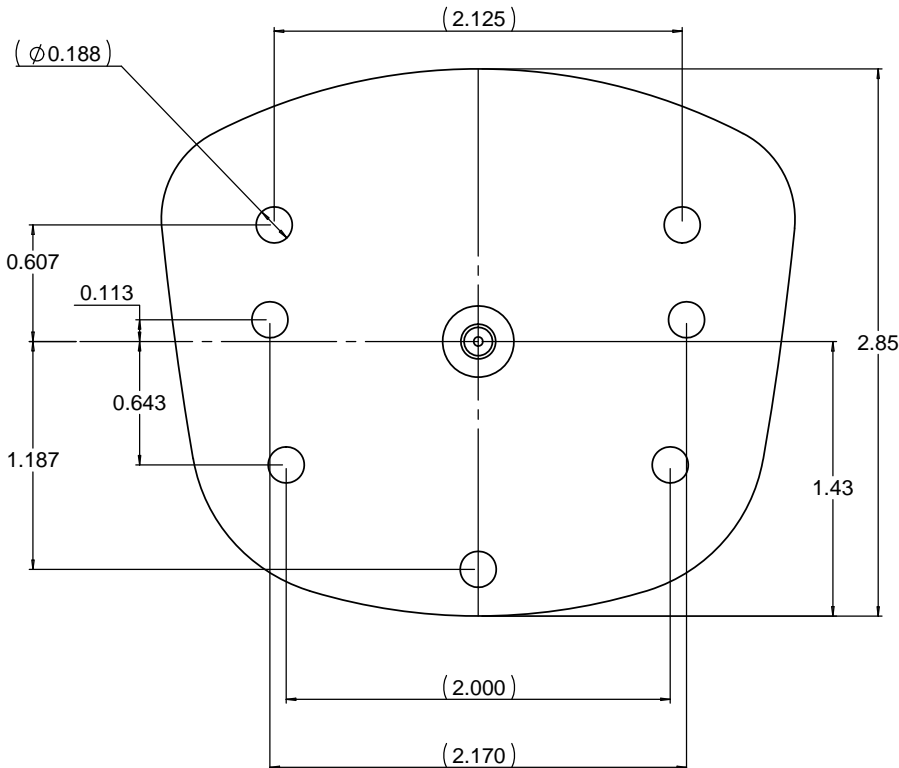
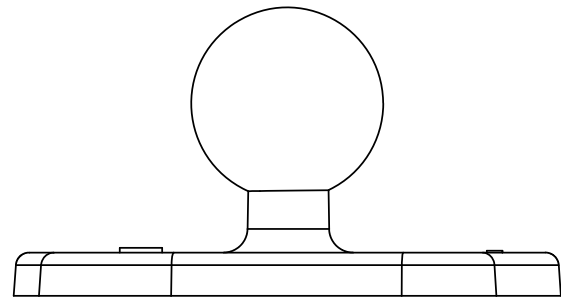
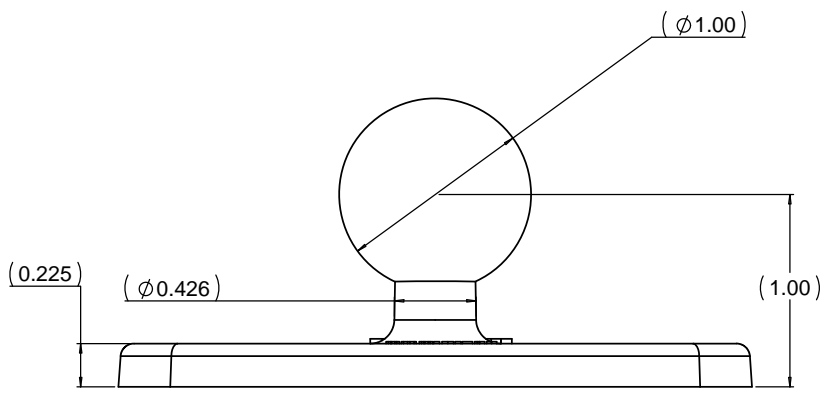


THE INFORMATION CONTAINED IN THIS DRAWING IS THE SOLE PROPERTY OF NATIONAL PRODUCTS INC. ANY REPRODUCTION IN PART OR WHOLE WITHOUT THE WRITTEN PERMISSION OF NATIONAL PRODUCTS INC. IS PROHIBITED.

REVISIONS		DATE	APPROVED
REV	DESCRIPTION		



UNLESS OTHERWISE SPECIFIED DIMENSIONS ARE IN INCHES	CAD GENERATED DRAWING. DO NOT MANUALLY UPDATE	NATIONAL PRODUCTS INC.	
TOLERANCES ARE: FRACTIONS: DECIMALS: ANGLES: + 1/32 - .005 + .06 - + 1 DEG. XXX+ - .020	APPROVALS	DATE	
	DRAWN	JDC	02/08/16
	CHECKED	CMR	02/08/16
MATERIAL: ALUMINUM, RUBBER	RESP ENG		
FINISH: BLACK	MFG ENG		
DO NOT SCALE DRAWING	QUAL ENG		
	ISS	DATE	REV
	C	RAM-B-107-1B	
	SCALE 1 TO 1	CAD FILE: RAM-B-107-1B	SHEET 1 OF 1