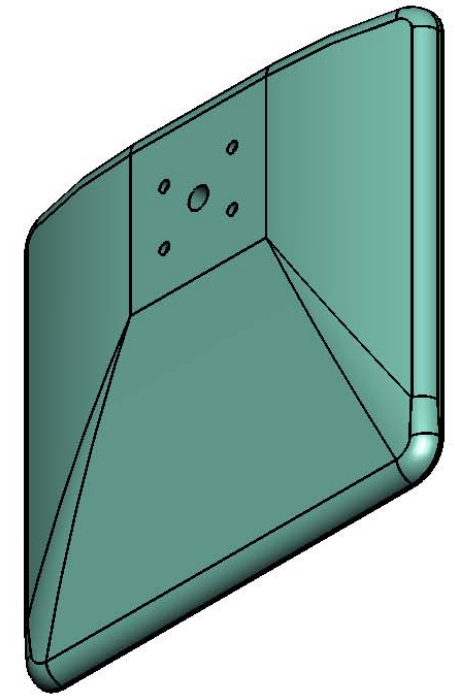
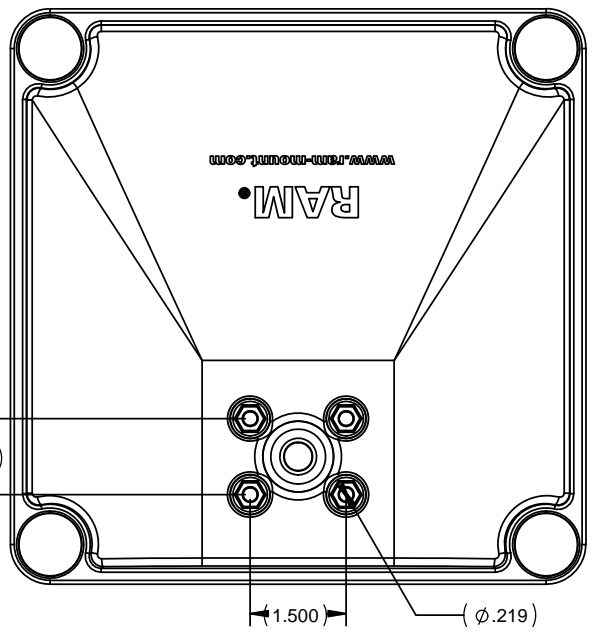
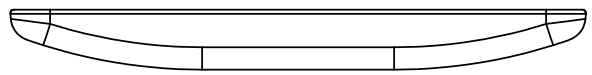
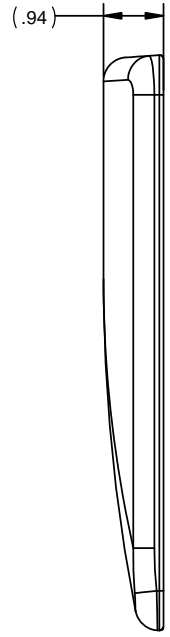
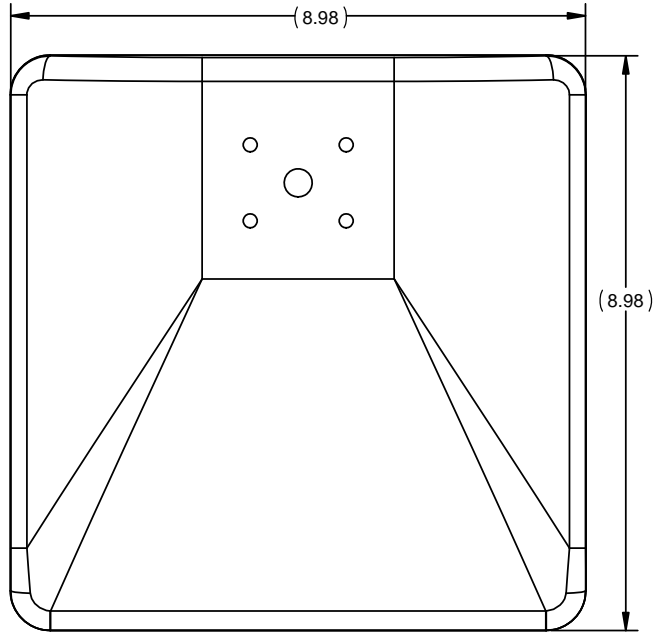


THE INFORMATION CONTAINED IN THIS DRAWING IS THE SOLE PROPERTY OF NATIONAL PRODUCTS INC. ANY REPRODUCTION IN PART OR WHOLE WITHOUT THE WRITTEN PERMISSION OF NATIONAL PRODUCTS INC. IS PROHIBITED.

REV		DESCRIPTION	REVISIONS	DATE	APPROVED



UNLESS OTHERWISE SPECIFIED DIMENSIONS ARE IN INCHES. TOLERANCES ARE: FRACTIONS: DECIMALS: ANGLES: ± 1/32 XX - .06 ± 1 DEG XXX - .030		CADD GENERATED DRAWING. DO NOT MANUALLY UPDATE.		NATIONAL PRODUCTS INC.	
APPROVALS	DATE	DRAWN		RAM 9" X 9" WEIGHTED BASE	
JDC	04/14/16	CMR		RAM-251-1	
CHECKED	04/14/16	MFG ENG		SCALE 1 TO 1	
MATERIAL	ZINC	QUAL ENG		SHEET 1 OF 1	
FINISH: BLACK POWDER COAT		DO NOT SCALE DRAWING		REV	