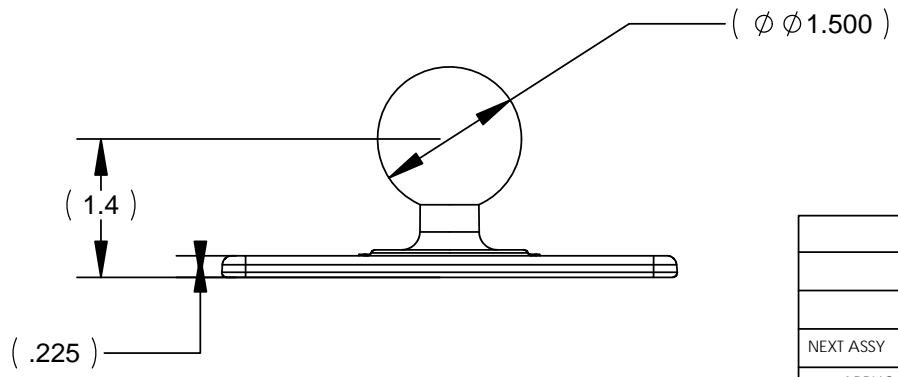
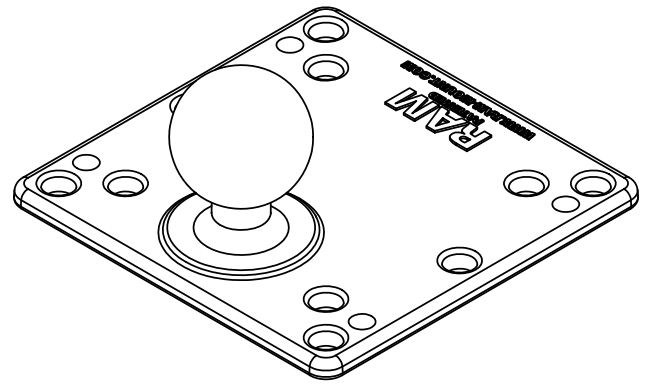
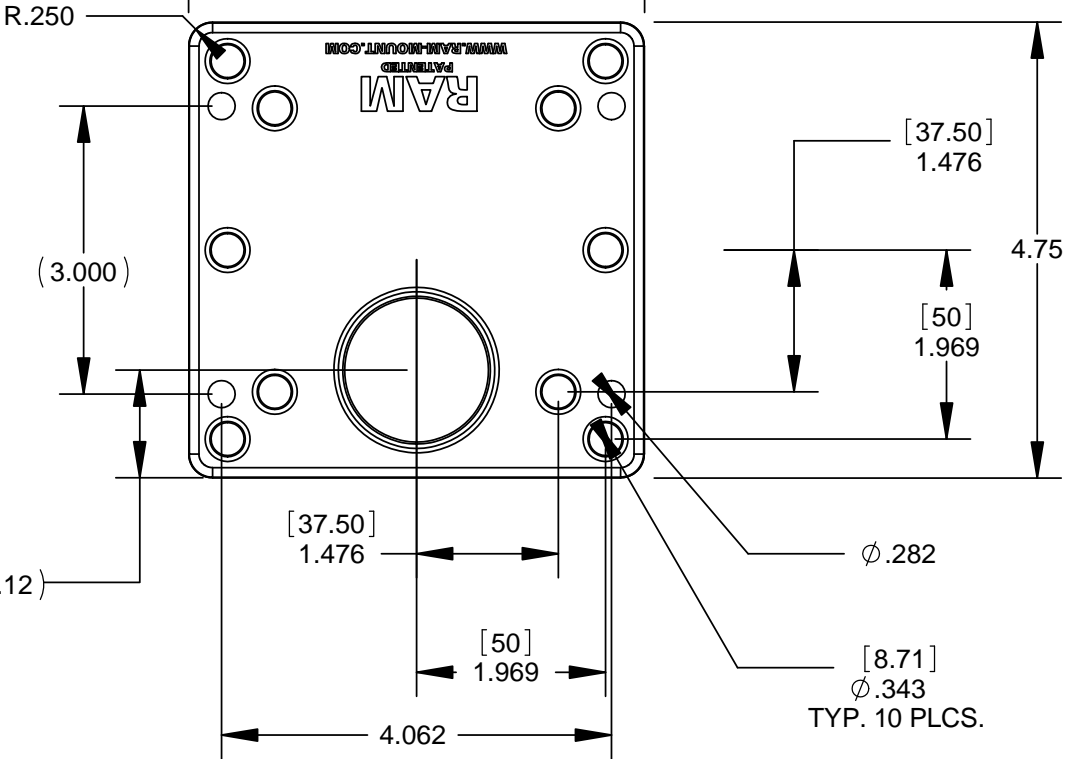
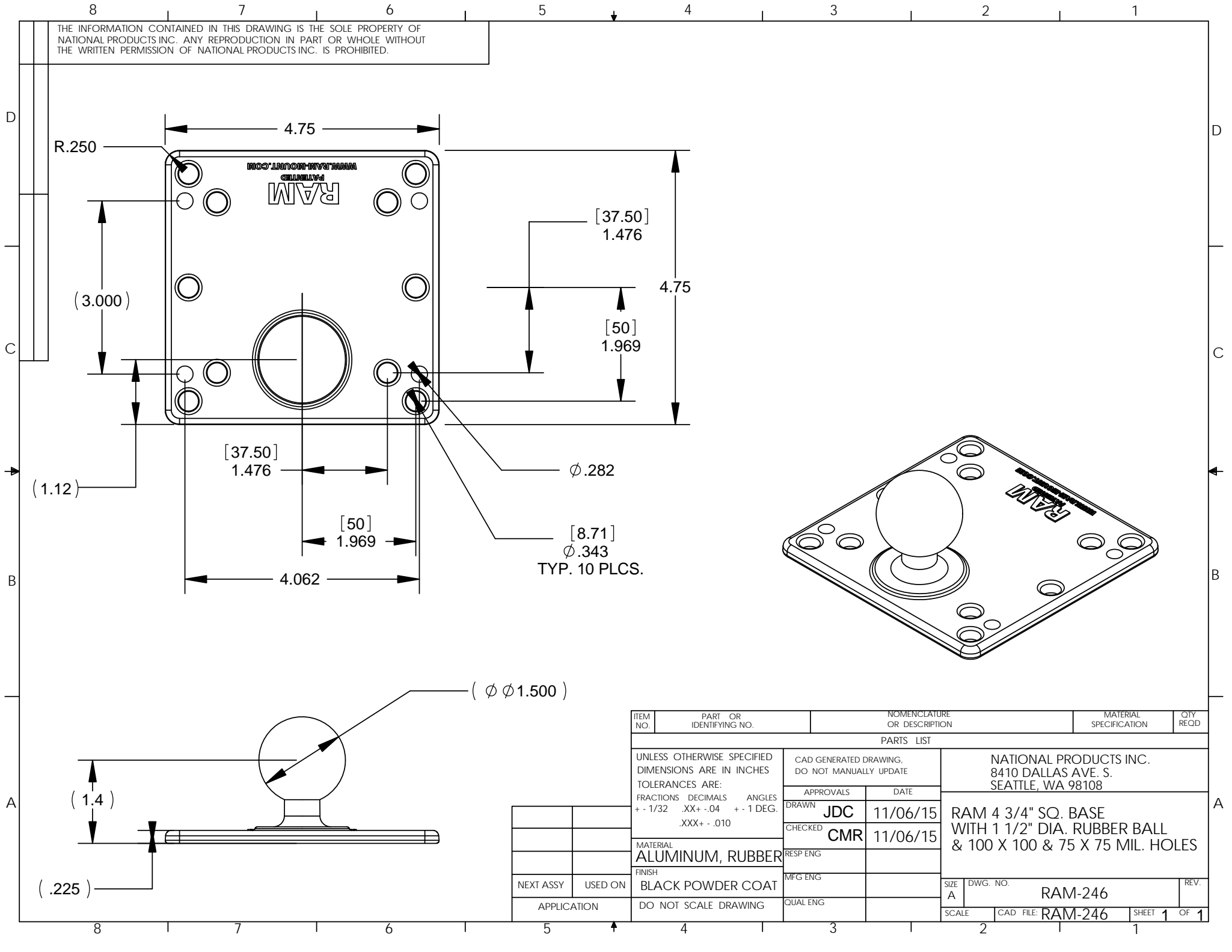


THE INFORMATION CONTAINED IN THIS DRAWING IS THE SOLE PROPERTY OF NATIONAL PRODUCTS INC. ANY REPRODUCTION IN PART OR WHOLE WITHOUT THE WRITTEN PERMISSION OF NATIONAL PRODUCTS INC. IS PROHIBITED.



ITEM NO.	PART OR IDENTIFYING NO.	NOMENCLATURE OR DESCRIPTION	MATERIAL SPECIFICATION	QTY RECD
PARTS LIST				
UNLESS OTHERWISE SPECIFIED DIMENSIONS ARE IN INCHES		CAD GENERATED DRAWING, DO NOT MANUALLY UPDATE		NATIONAL PRODUCTS INC. 8410 DALLAS AVE. S. SEATTLE, WA 98108
TOLERANCES ARE:		APPROVALS	DATE	
FRACTIONS	DECIMALS	ANGLES		RAM 4 3/4" SQ. BASE WITH 1 1/2" DIA. RUBBER BALL & 100 X 100 & 75 X 75 MIL. HOLES
+ - 1/32	.XX+ -.04	+ - 1 DEG.	DRAWN JDC 11/06/15	
.XXX+ -.010			CHECKED CMR 11/06/15	
MATERIAL		RESP ENG		SIZE A DWG. NO. RAM-246 REV.
ALUMINUM, RUBBER		MFG ENG		
FINISH		QUAL ENG		SCALE
BLACK POWDER COAT				CAD FILE: RAM-246 SHEET 1 OF 1
DO NOT SCALE DRAWING				

NEXT ASSY	USED ON
APPLICATION	