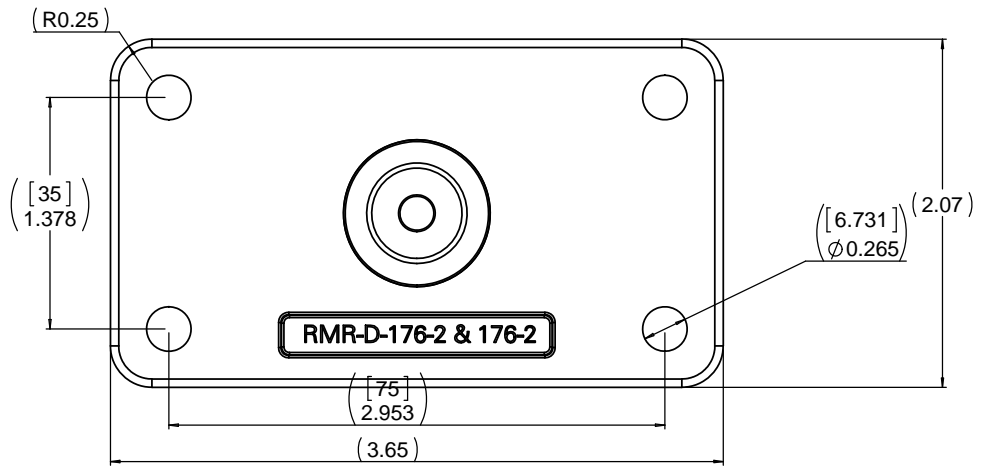
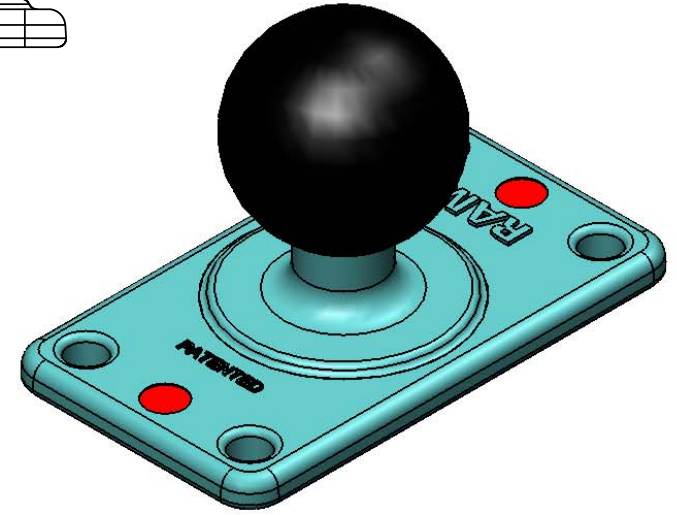
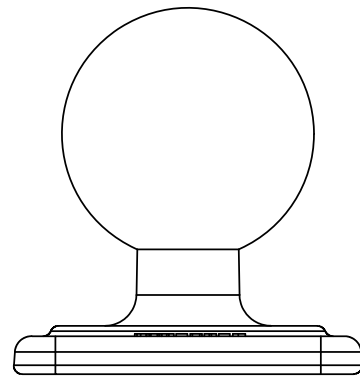
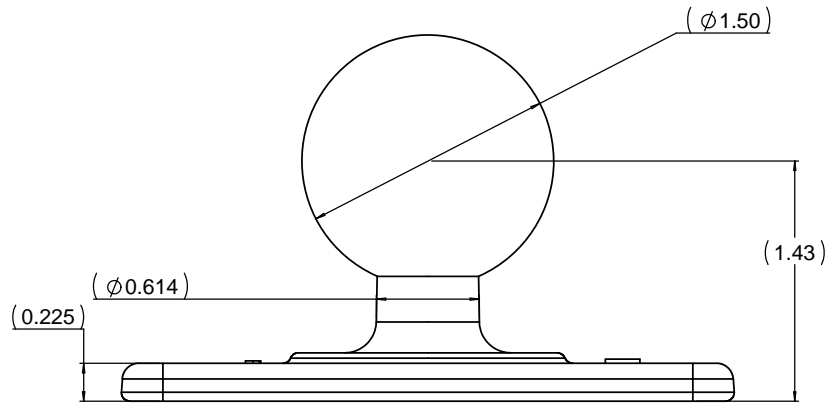
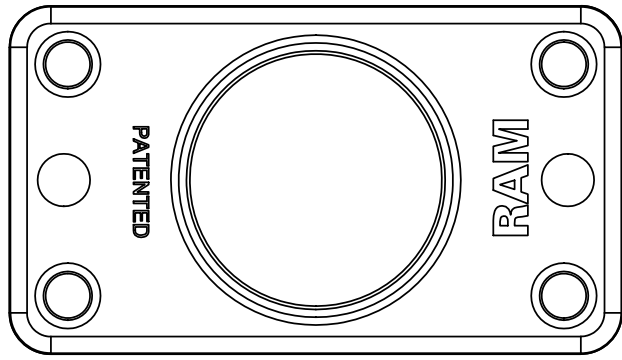


THE INFORMATION CONTAINED IN THIS DRAWING IS THE SOLE PROPERTY OF NATIONAL PRODUCTS INC. ANY REPRODUCTION IN PART OR WHOLE WITHOUT THE WRITTEN PERMISSION OF NATIONAL PRODUCTS INC. IS PROHIBITED.

REV		DESCRIPTION	REVISIONS	DATE	APPROVED



UNLESS OTHERWISE SPECIFIED DIMENSIONS ARE IN INCHES TOLERANCES ARE: FRACTIONS DECIMALS ANGLES + 1/32 -XX+ .06 +1 DEG XXX+ .030	CAD GENERATED DRAWING. DO NOT MANUALLY UPDATE		NATIONAL PRODUCTS INC.	
	APPROVALS	DATE	RAM BASE WITH 1 1/2" DIA. RUBBER BALL & 35MM X 75MM VESA MIS-C	
	DRAWN JDC	07/20/16	ISS: C	REV: C
	CHECKED CMR	07/20/16	SCALE 1 TO 1 CAD FILE: RAM-2462 SHEET 1 OF 1	
MATERIAL ALUMINUM, RUBBER	RESP ENG			
FINISH BLACK	MFG ENG			
DO NOT SCALE DRAWING	DUAL ENG			