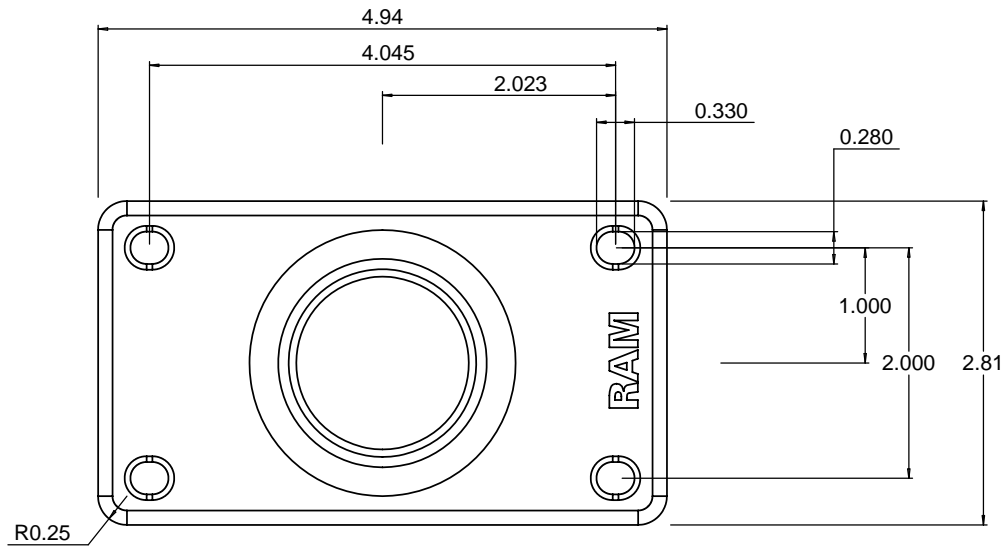
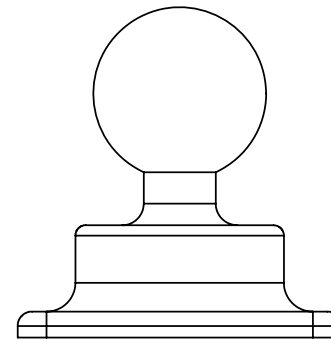
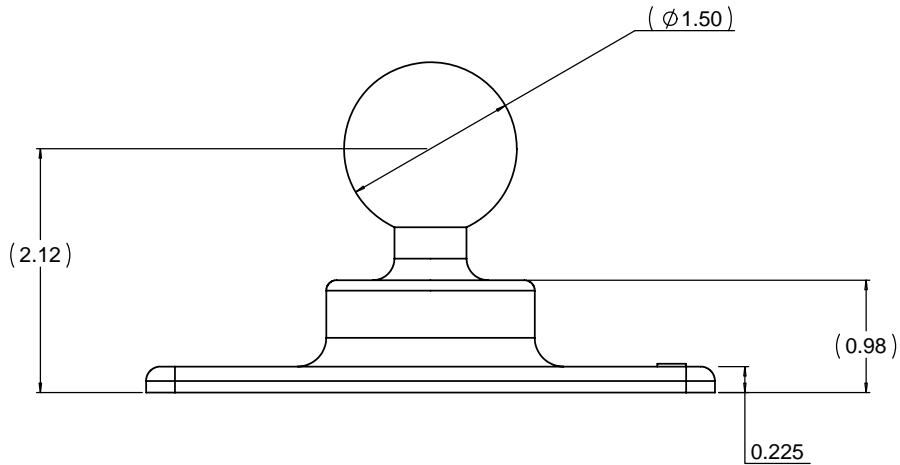


THE INFORMATION CONTAINED IN THIS DRAWING IS THE SOLE PROPERTY OF NATIONAL PRODUCTS INC. ANY REPRODUCTION IN PART OR WHOLE WITHOUT THE WRITTEN PERMISSION OF NATIONAL PRODUCTS INC. IS PROHIBITED.

REV.		DESCRIPTION	REVISIONS	DATE	APPROVED



4 QTY. PLASTIC REDUCING BUSHINGS FOR HOLES



UNLESS OTHERWISE SPECIFIED DIMENSIONS ARE IN INCHES		CAD GENERATED DRAWING. DO NOT MANUALLY UPDATE		NATIONAL PRODUCTS INC.	
FRACTIONS: DECIMALS ANGLES		APPROVALS	DATE	RAM MOUNT BASE WITH 1 1/2" DIA. BALL HALF VESA HOLE PATTERN	
+ 1/32 - .004 + .06 - +1 DEG.		DRAWN	07/23/02	RAM-243	
.XXX - .030		CHECKED	07/23/02	REV A	
MATERIAL	ALUMINUM	DESIGNED		SCALE 1 TO 1	CAD FILE: RAM243
FINISH	BLACK POWDER COAT	MANUFACTURED		SHEET 1 OF 1	
DO NOT SCALE DRAWING		QUAL ENG			