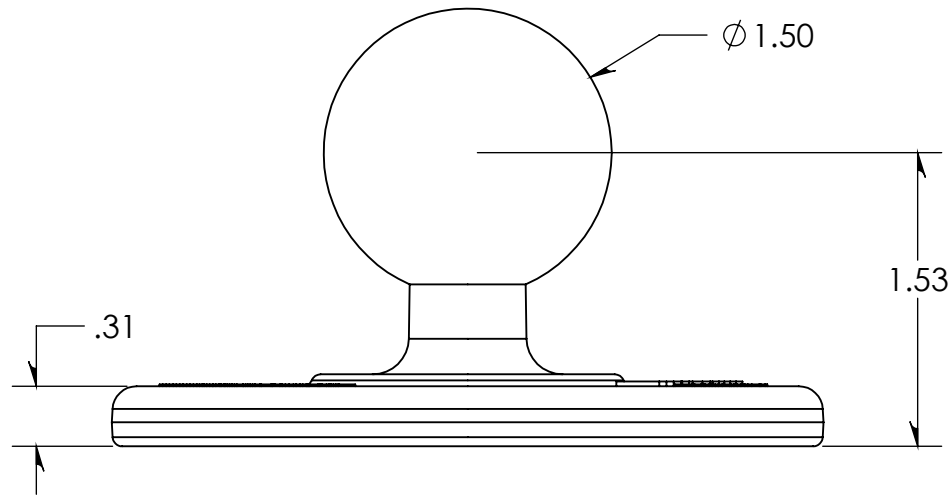
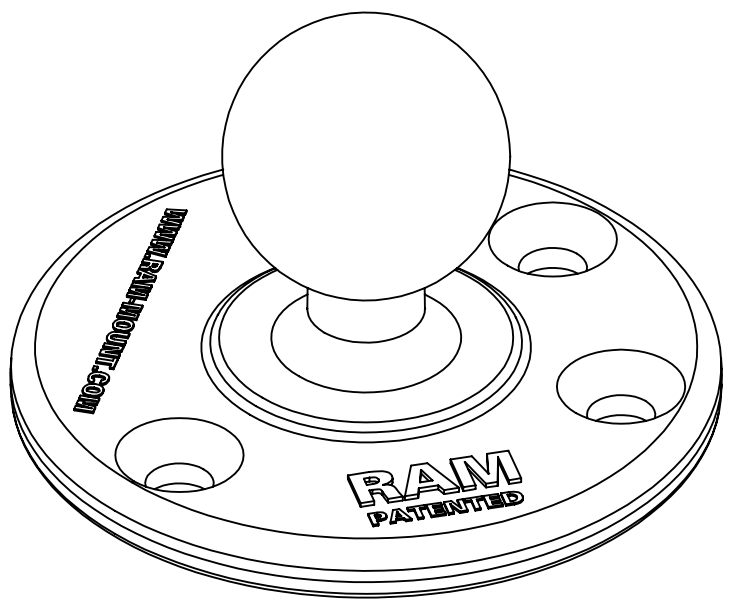
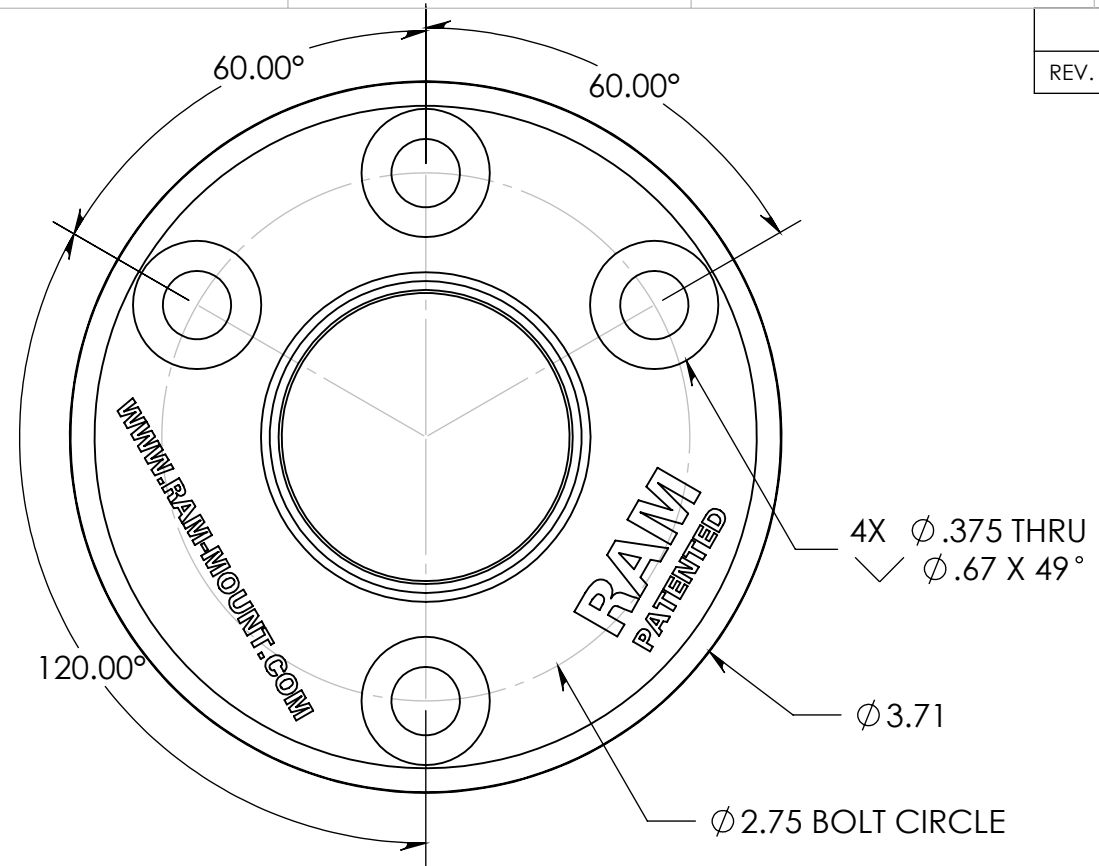


REVISIONS			
REV.	DESCRIPTION	DATE	APPROVED



DIMENSIONS ARE IN INCHES UNLESS OTHERWISE SPECIFIED			TRACKING		NATIONAL PRODUCTS INC.	
TOLERANCES: FRACTIONS DECIMALS ANGLES $\pm 1/32$ $\pm .03$ $\pm 1^\circ$ $\pm .010$			DRAWN	INITIALS	DATE	DESCRIPTION
			APPROVED 1			RAM 3.68 DIA. BASE WITH BALL
			APPROVED 2			
MATERIAL	THE INFORMATION CONTAINED IN THIS DRAWING IS THE SOLE PROPERTY OF NATIONAL PRODUCTS INC. ANY REPRODUCTION IN PART OR WHOLE WITHOUT THE WRITTEN PERMISSION OF NATIONAL PRODUCTS INC. IS PROHIBITED.				PART NUMBER	REV
FINISH					ram240	
					SCALE	SHEET 1 of 1
					1:1	