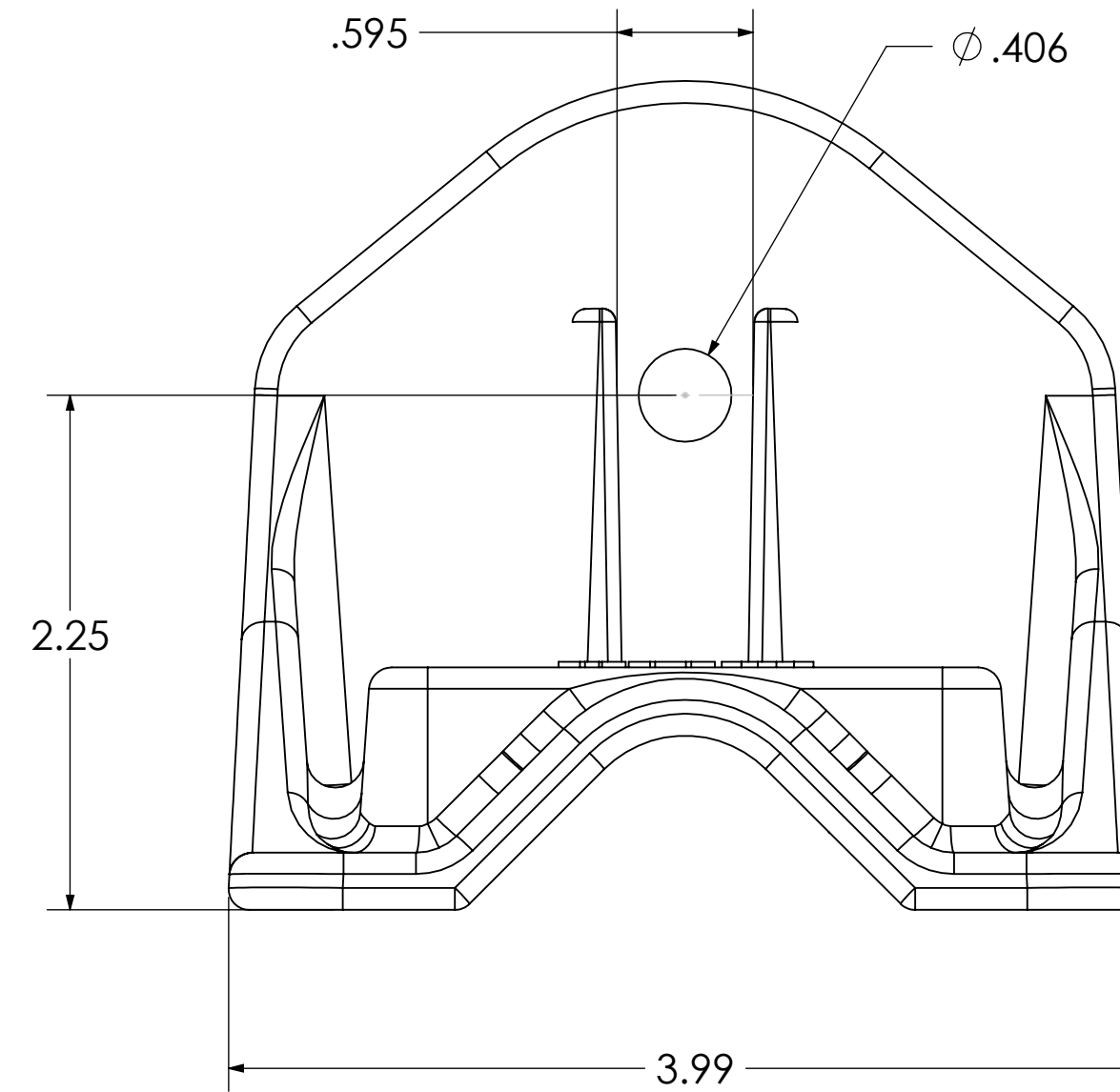
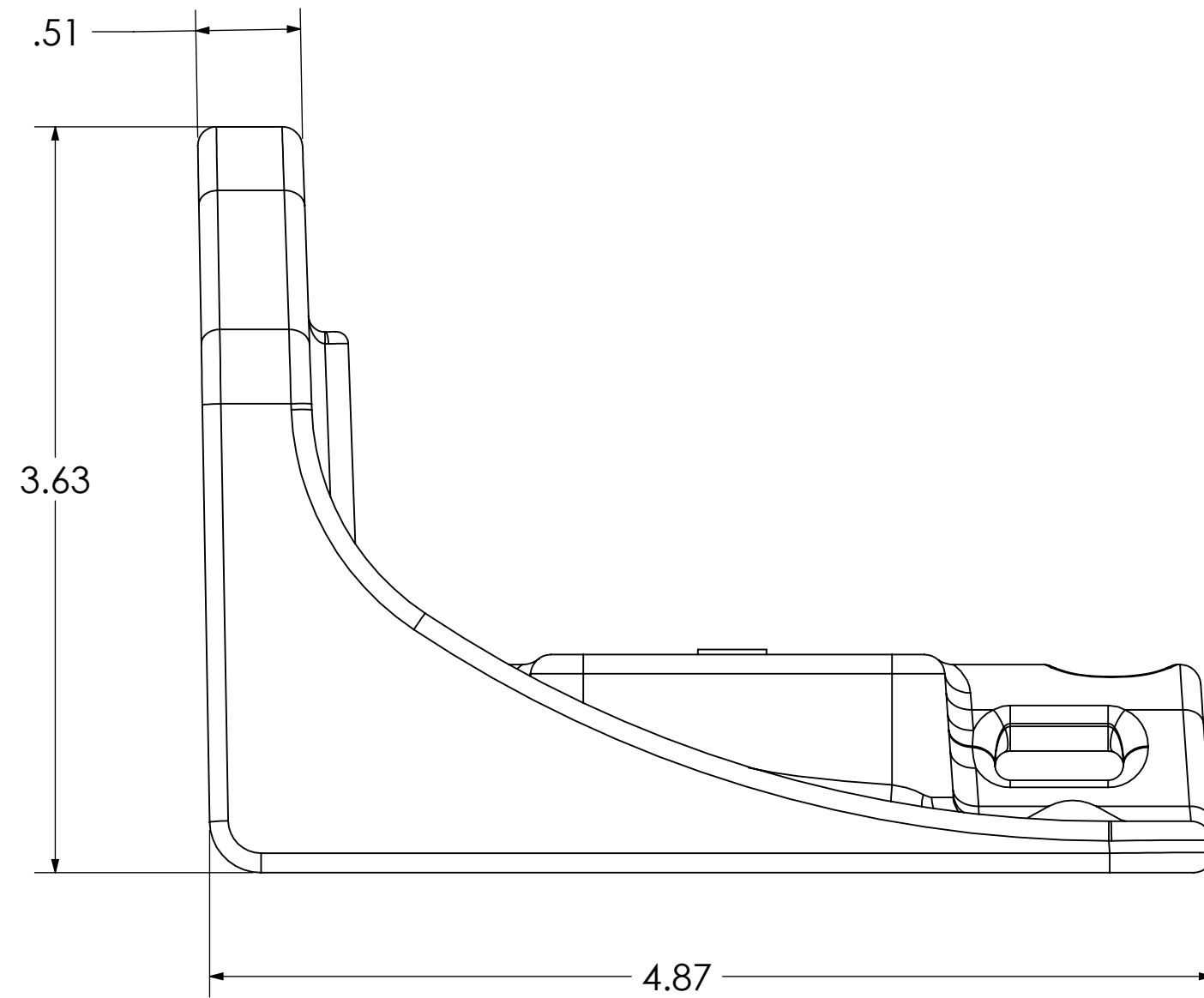
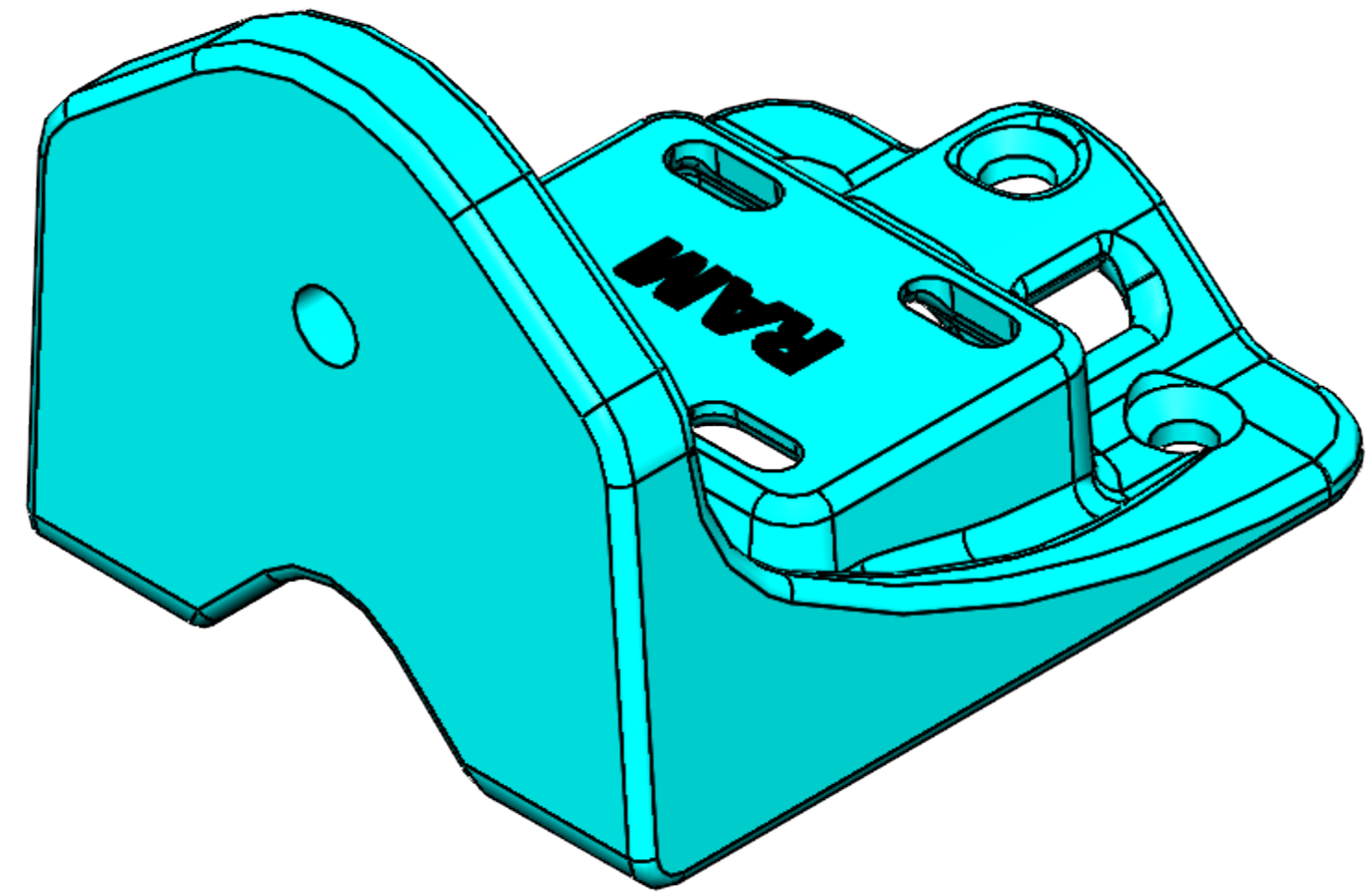
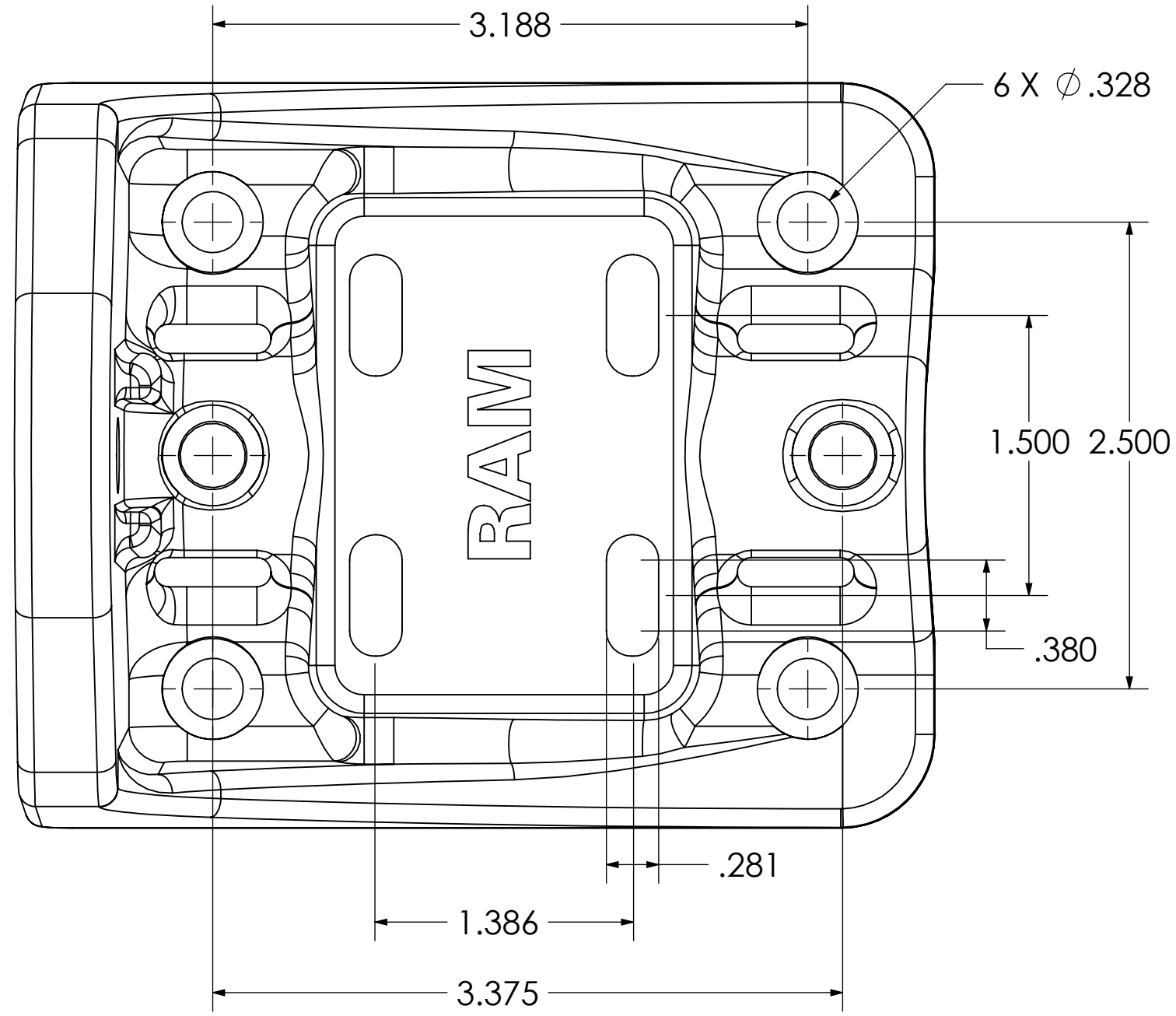


THE INFORMATION CONTAINED IN THIS DRAWING IS THE SOLE PROPERTY OF NATIONAL PRODUCTS INC. ANY REPRODUCTION IN PART OR WHOLE WITHOUT THE WRITTEN PERMISSION OF NATIONAL PRODUCTS INC. IS PROHIBITED.

REVISIONS		DATE	APPROVED
REV.	DESCRIPTION		



UNLESS OTHERWISE SPECIFIED DIMENSIONS ARE IN INCHES TOLERANCES ARE: FRACTIONS DECIMALS ANGLES ±1/32 .xx ±.03 1° MATERIAL ALUMINUM FINISH FLAT BLACK TEXTURED POWDER COAT DO NOT SCALE DRAWING	CAD GENERATED DRAWING. DO NOT MANUALLY UPDATE		NATIONAL PRODUCTS INC.	
	APPROVALS	DATE	RAM VERT SWING ARM MOUNT BRACKET	
	DRAWN JDS	05/15/26	SIZE (DWG. NO.)	RAM-109V-BU
	CHECKED		SCALE 1 TO 1	CAD FILE: SHEET 1 OF 1
	RESP ENG			REV.
	MFG ENG			
	QUAL ENG			