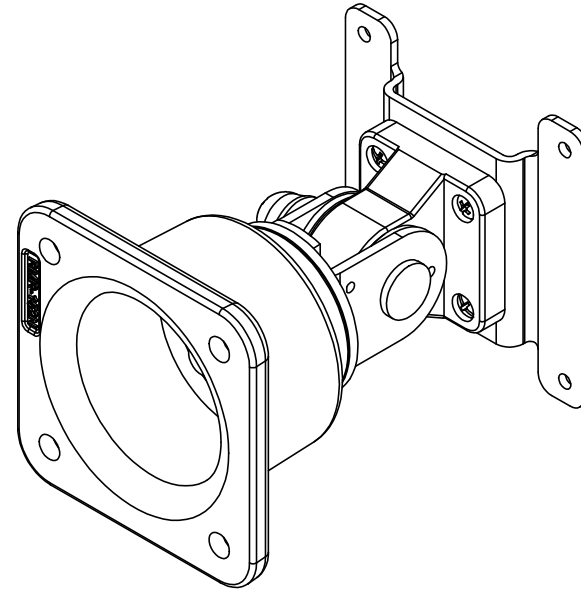
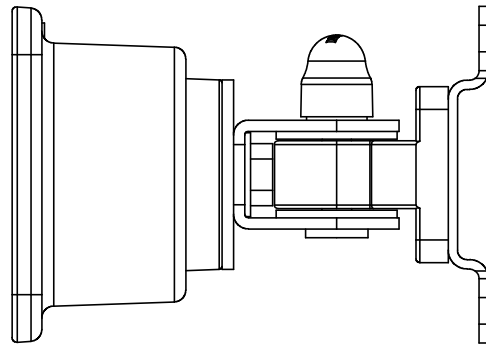
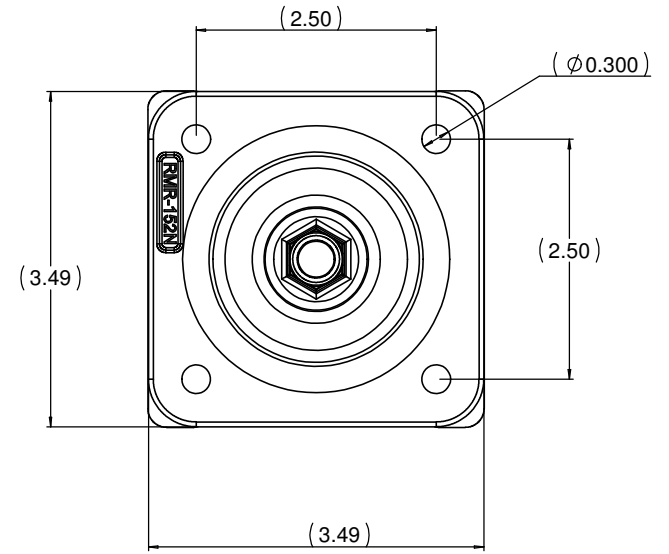
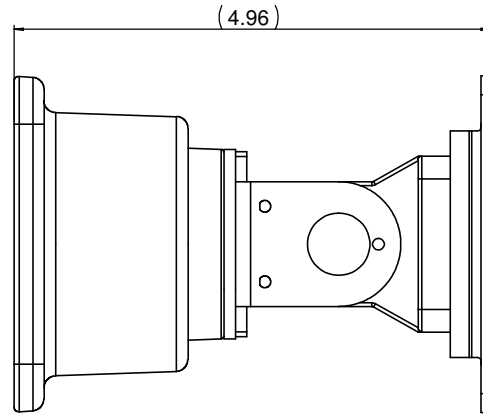
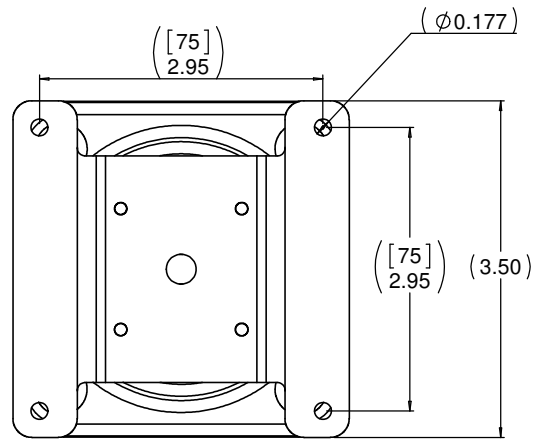


THE INFORMATION CONTAINED IN THIS DRAWING IS THE SOLE PROPERTY OF NATIONAL PRODUCTS INC. ANY REPRODUCTION IN PART OR WHOLE WITHOUT THE WRITTEN PERMISSION OF NATIONAL PRODUCTS INC. IS PROHIBITED.

REV.	DESCRIPTION	REVISIONS	DATE	APPROVED



UNLESS OTHERWISE SPECIFIED DIMENSIONS ARE IN INCHES TOLERANCES ARE: FRACTIONS: DECIMALS ANGLES + 1/32 .XX + .05 + 1 DEG. .XXX + .030	CAD GENERATED DRAWING. DO NOT MANUALLY UPDATE		NATIONAL PRODUCTS INC.	
	APPROVALS	DATE	RAM HORIZONTAL PIVOT MOUNT SYSTEM	
	DRAWN: JDC	01/15/14		
	CHECKED: CMR	01/15/14		
MATERIAL: ALUMINUM, STEEL, RUBBER, ST31	REP. ENG.			
FINISH: BLACK	MFG. ENG.			
DO NOT SCALE DRAWING	QUAL. ENG.			
		ISS. C	DWG. NO. RAM-109H-PV2	REV.
			SCALE 1 TO 1	CAD. FILE: RAM109HPV2 SHEET 1 OF 1