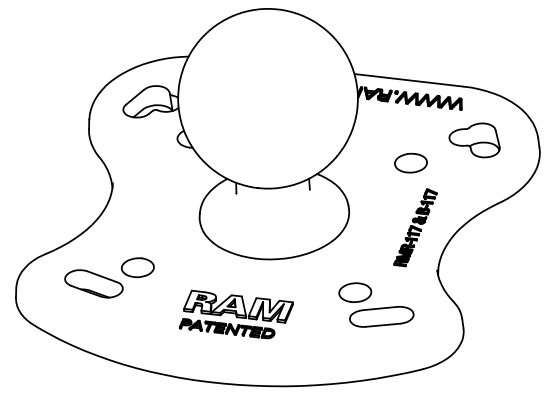
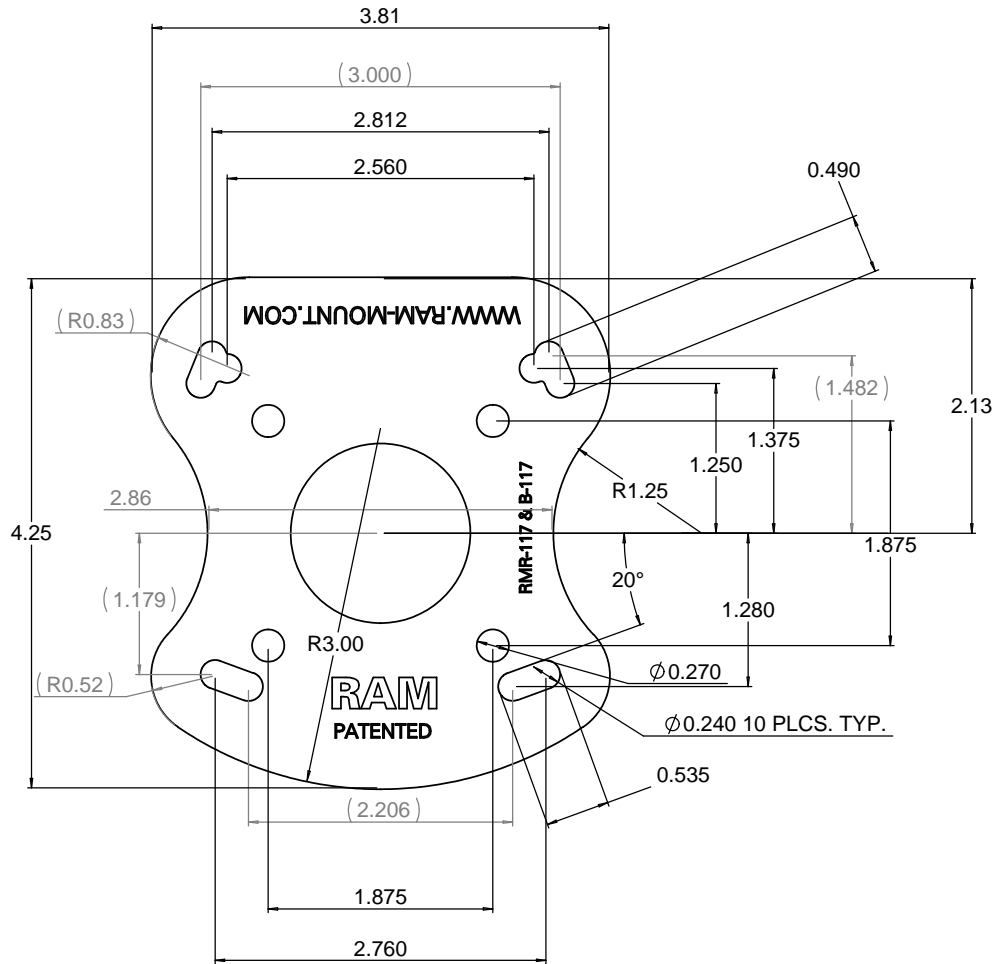
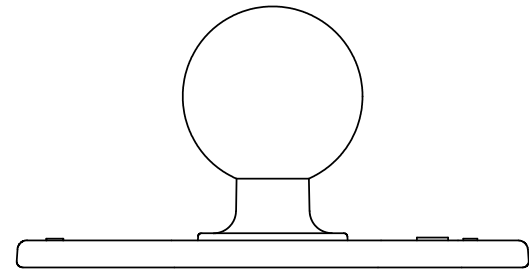
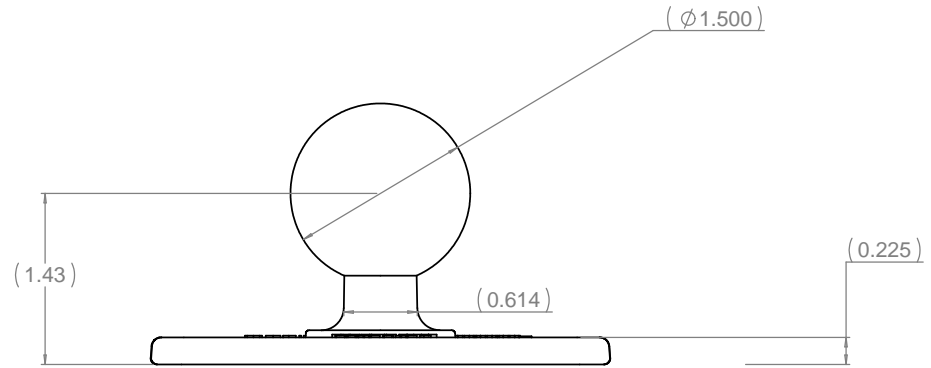


THE INFORMATION CONTAINED IN THIS DRAWING IS THE SOLE PROPERTY OF NATIONAL PRODUCTS INC. ANY REPRODUCTION IN PART OR WHOLE WITHOUT THE WRITTEN PERMISSION OF NATIONAL PRODUCTS INC. IS PROHIBITED.

REVISIONS		DATE	APPROVED
REV.	DESCRIPTION		



UNLESS OTHERWISE SPECIFIED DIMENSIONS ARE IN INCHES. TOLERANCES ARE: FRACTIONS DECIMALS ANGLES + .002 - .004 - .006 + .1 DEG. XXX+ .030	CAD GENERATED DRAWING. DO NOT MANUALLY UPDATE	NATIONAL PRODUCTS INC.	
MATERIAL: ALUMINUM	APPROVALS: JDC DRAWN: JDC CHECKED: CMR RESP ENG	DATE: 01/15/10	DATE: 01/15/10
FINISH: BLACK POWDER COAT	QUALING	DWG. NO.: RAM-107B	REV.:
DO NOT SCALE DRAWING		SCALE: 1 TO 1	CAD FILE: RAM107B SHEET 1 OF 1