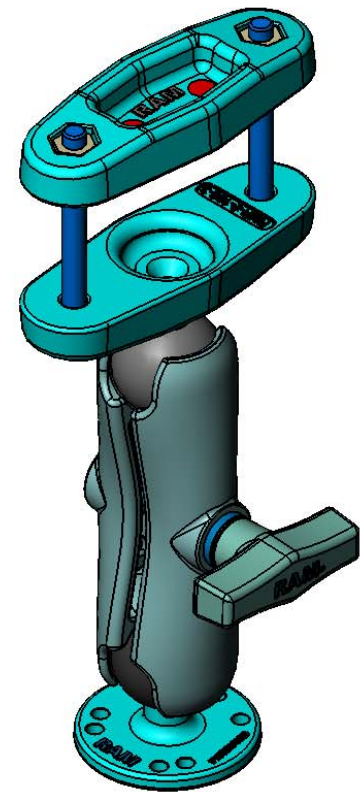
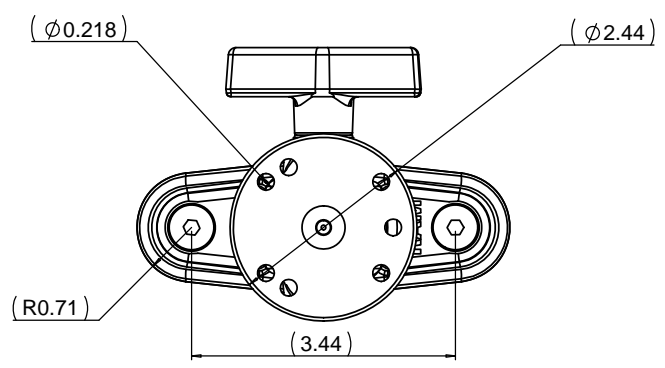
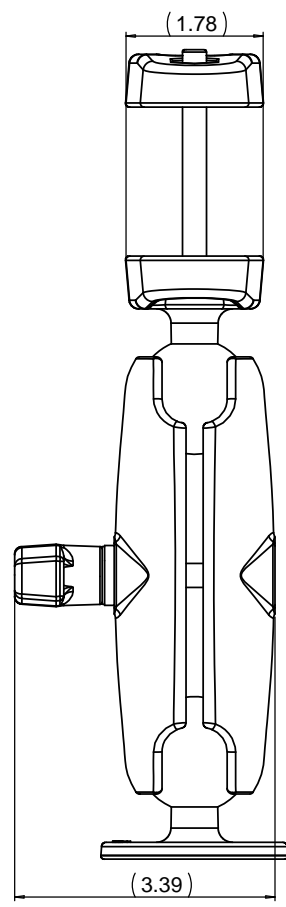
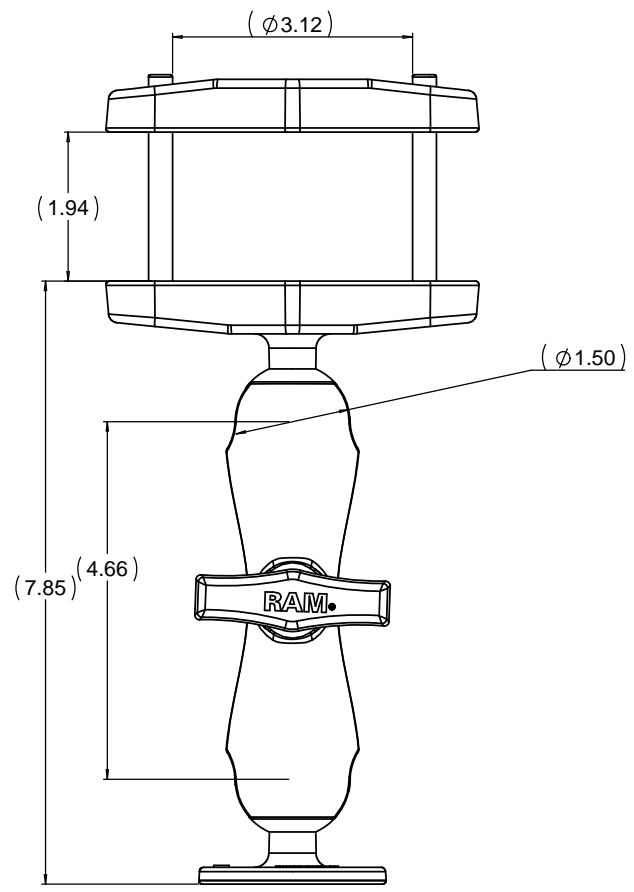


THE INFORMATION CONTAINED IN THIS DRAWING IS THE SOLE PROPERTY OF NATIONAL PRODUCTS INC. ANY REPRODUCTION IN PART OR WHOLE WITHOUT THE WRITTEN PERMISSION OF NATIONAL PRODUCTS INC. IS PROHIBITED.

REV		DESCRIPTION		REVISIONS		DATE	APPROVED



UNLESS OTHERWISE SPECIFIED DIMENSIONS ARE IN INCHES TOLERANCES ARE: FRACTIONS: XX+ .06 - .11 DEG. DECIMALS: .XX+ .06 - .11 DEG. ANGLES: XXX+ .010	CAD GENERATED DRAWING. DO NOT MANUALLY EDIT/DATE		NATIONAL PRODUCTS INC.	
	APPROVALS	DATE	RAM 3" SQUARE RAIL MOUNT WITH ROUND BASE	
	DRAWN JDC	10/19/16	SIZE	SCALE 1 (C) 1
	CHECKED CMR	10/19/16	DATE	1
MATERIAL ALUMINUM BRASS ST12 NYLON RUBBER	RESP ENG	DATE	1	REV
FRESH BLACK	MFG ENG	DATE	1	REV
DO NOT SCALE DRAWING	DUAL ENG	DATE	1	REV